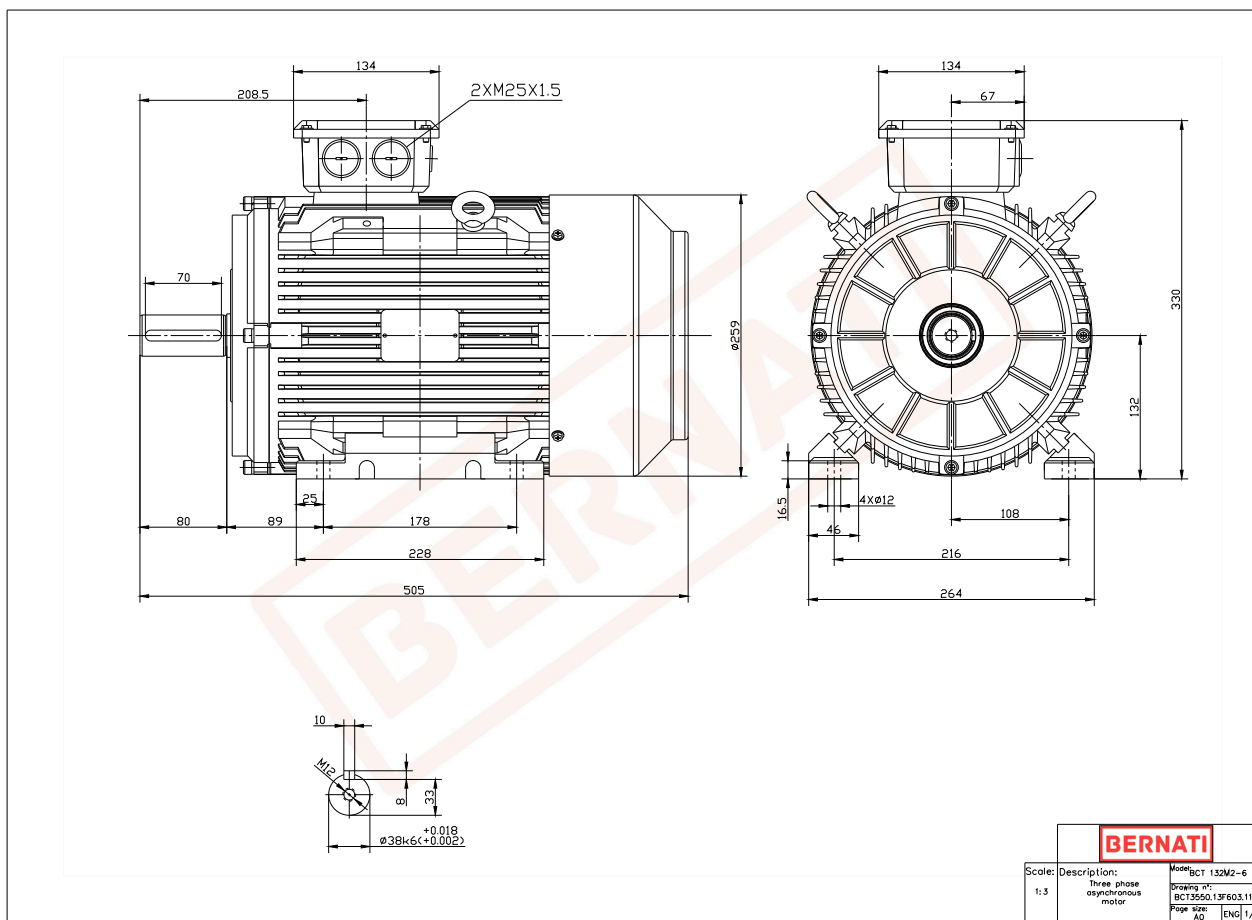


BCT Series - Cast iron frame three phase low voltage electric motor



BCT

Product Code	BCT3550.13F603.11
Motor Type/Frame	BCT 132M2-6
Mounting	IM B3
Efficiency Class	IE3
Output Power (kW)	5.50
Speed (rpm)	950
Tension (V)	230/400
Frequency (Hz)	50
Current (A)	12.70
Power factor (Cos Ø)	0.70
Poles	6
Insulation Class	F
IP Class	IP55
50% Efficiency	86.9
75% Efficiency	88.8
100% Efficiency	88.0
Torque (Nm)	55.30
Tstart / Tnominal	2.30
Istart / Inominal	7.50
Tmax / Tnominal	2.50
Noise (dB)	69
PTC Thermistor	PTC 130
Weight (Kg)	76
DE Bearing	6308 2RZ C3
NDE Bearing	6308 2RZ C3