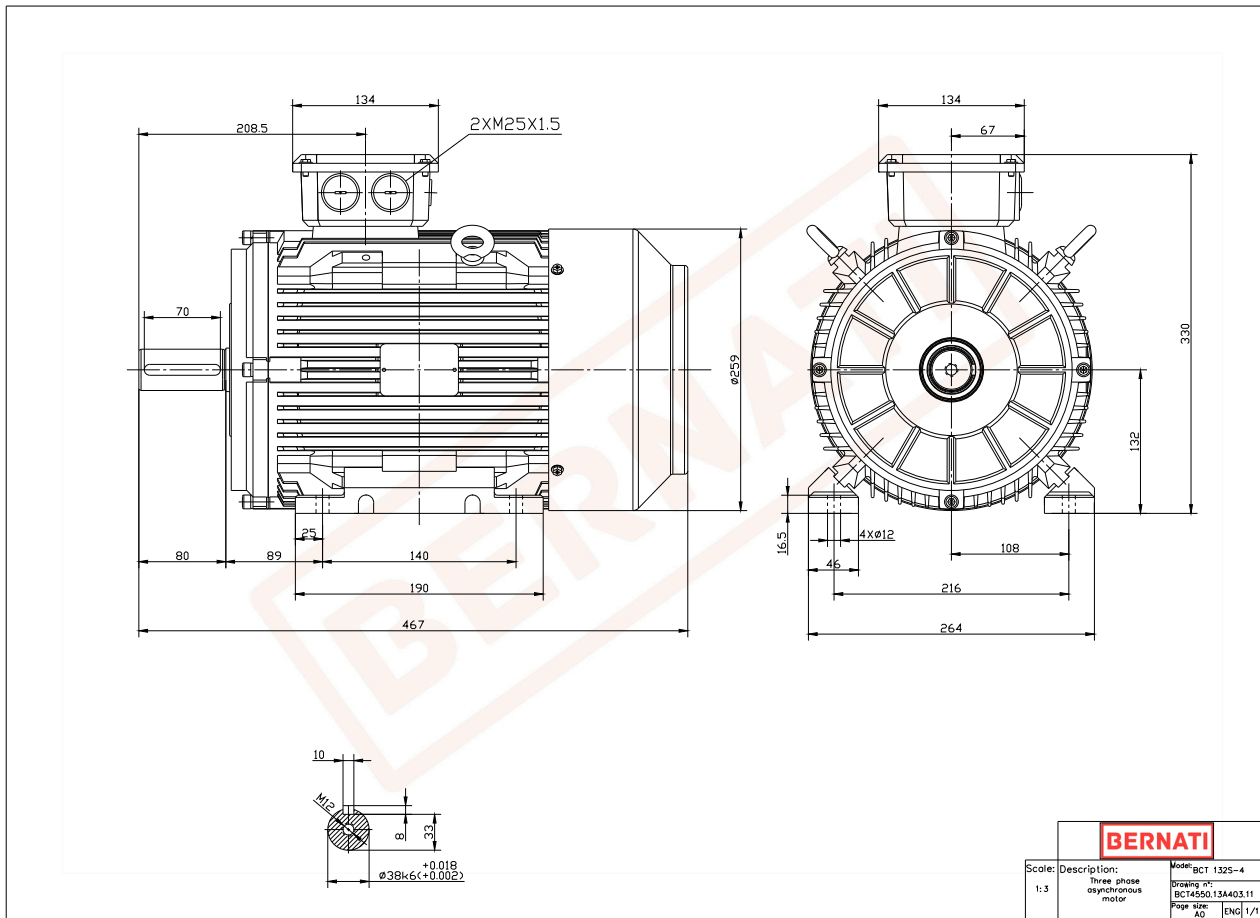


## BCT Series - Cast iron frame three phase low voltage electric motor



### BCT

Product Code	BCT3550.13A403.11
Motor Type/Frame	BCT 132S-4
Mounting	IM B3
Efficiency Class	IE3
Output Power (kW)	5.50
Speed (rpm)	1440
Tension (V)	230/400
Frequency (Hz)	50
Current (A)	10.70
Power factor (Cos Ø)	0.80
Poles	4
Insulation Class	F
IP Class	IP55
50% Efficiency	88.9
75% Efficiency	90.9
100% Efficiency	89.6
Torque (Nm)	36.50
Tstart / Tnominal	2.50
Istart / Inominal	9.00
Tmax / Tnominal	3.00
Noise (dB)	71
PTC Thermistor	PTC 130
Weight (Kg)	68
DE Bearing	6308 2RZ C3
NDE Bearing	6308 2RZ C3