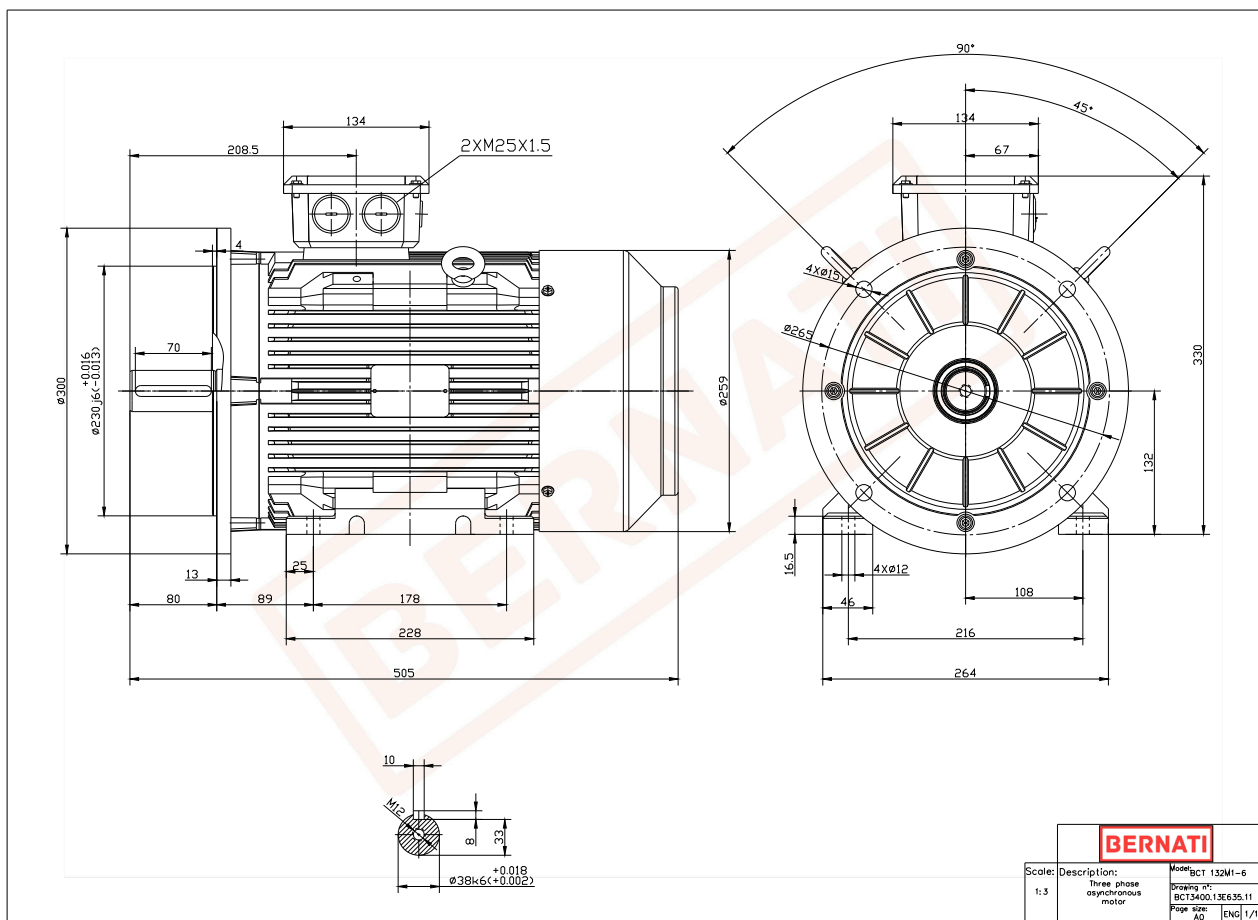


## BCT Series - Cast iron frame three phase low voltage electric motor



### BCT

Product Code	BCT3400.13E635.11
Motor Type/Frame	BCT 132M1-6
Mounting	IM B3/B5
Efficiency Class	IE3
Output Power (kW)	4.00
Speed (rpm)	950
Tension (V)	230/400
Frequency (Hz)	50
Current (A)	6.80
Power factor (Cos Ø)	0.70
Poles	6
Insulation Class	F
IP Class	IP55
50% Efficiency	85.2
75% Efficiency	87.6
100% Efficiency	86.8
Torque (Nm)	40.20
Tstart / Tnominal	2.00
Istart / Inominal	7.00
Tmax / Tnominal	2.50
Noise (dB)	69
PTC Thermistor	PTC 130
Weight (Kg)	76
DE Bearing	6308 2RZ C3
NDE Bearing	6308 2RZ C3