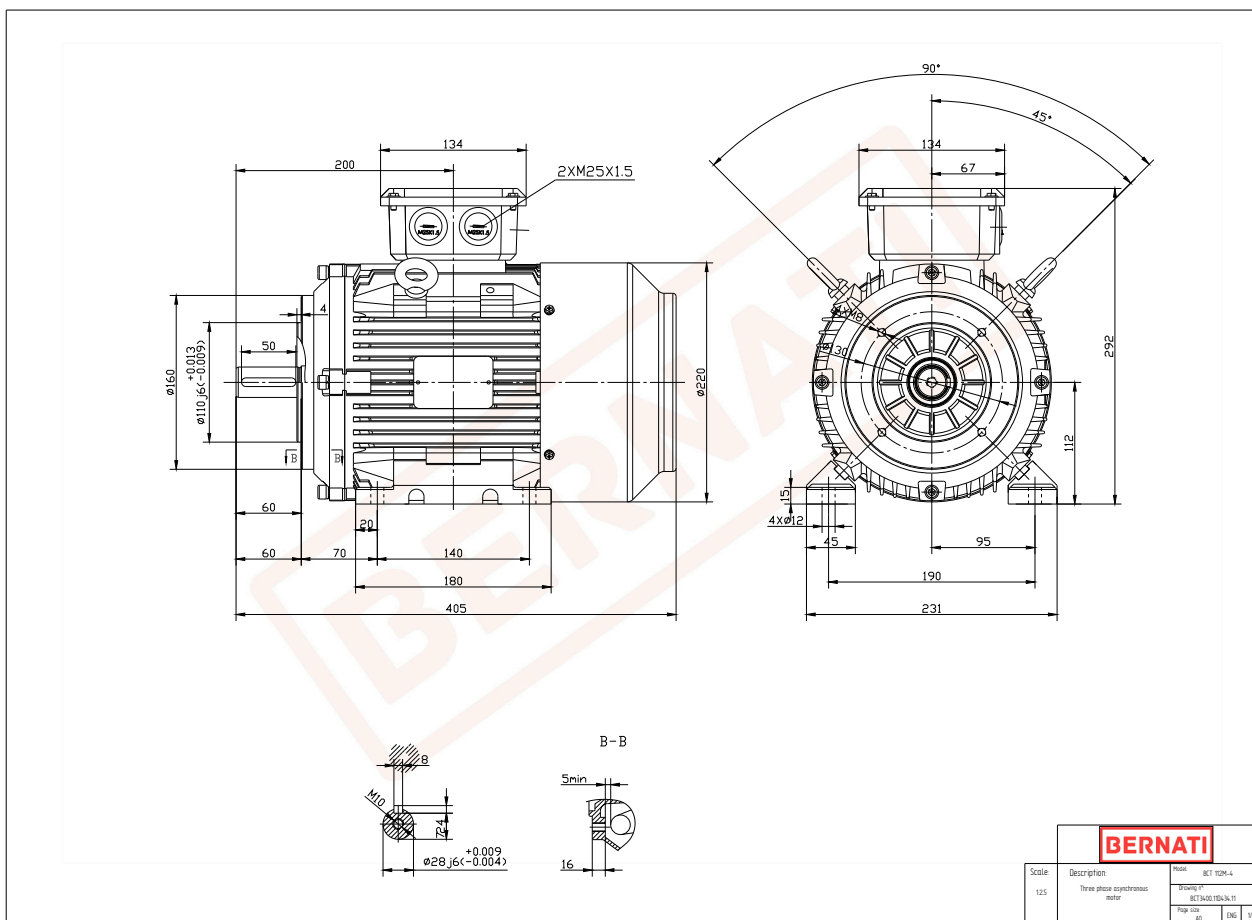


BCT Series - Cast iron frame three phase low voltage electric motor



BCT

| | |
|----------------------|-------------------|
| Product Code | BCT3400.11D434.11 |
| Motor Type/Frame | BCT 112M-4 |
| Mounting | IM B3/B14 |
| Efficiency Class | IE3 |
| Output Power (kW) | 4.00 |
| Speed (rpm) | 1440 |
| Tension (V) | 230/400 |
| Frequency (Hz) | 50 |
| Current (A) | 8.00 |
| Power factor (Cos Ø) | 0.80 |
| Poles | 4 |
| Insulation Class | F |
| IP Class | IP55 |
| 50% Efficiency | 87.5 |
| 75% Efficiency | 88.9 |
| 100% Efficiency | 88.6 |
| Torque (Nm) | 26.50 |
| Tstart / Tnominal | 2.50 |
| Istart / Inominal | 8.60 |
| Tmax / Tnominal | 3.00 |
| Noise (dB) | 65 |
| PTC Thermistor | PTC 130 |
| Weight (Kg) | 47 |
| DE Bearing | 6306 2RZ C3 |
| NDE Bearing | 6306 2RZ C3 |