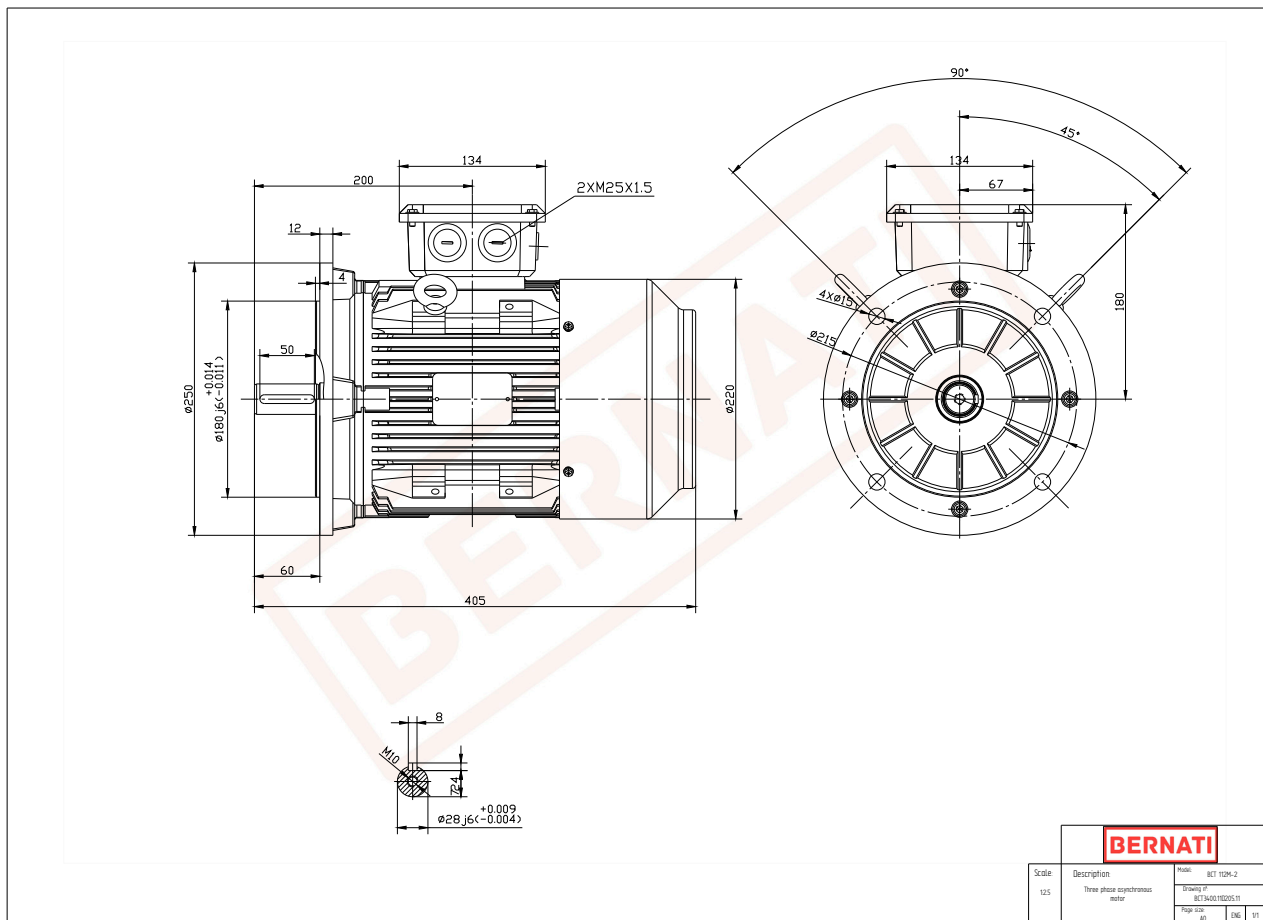


## BCT Series - Cast iron frame three phase low voltage electric motor



### BCT

Product Code	BCT3400.11D205.11
Motor Type/Frame	BCT 112M-2
Mounting	IM B5
Efficiency Class	IE3
Output Power (kW)	4.00
Speed (rpm)	2910
Tension (V)	230/400
Frequency (Hz)	50
Current (A)	7.30
Power factor (Cos Ø)	0.90
Poles	2
Insulation Class	F
IP Class	IP55
50% Efficiency	87.1
75% Efficiency	88.5
100% Efficiency	88.1
Torque (Nm)	13.10
Tstart / Tnominal	2.50
Istart / Inominal	10.50
Tmax / Tnominal	2.80
Noise (dB)	77
PTC Thermistor	PTC 130
Weight (Kg)	45
DE Bearing	6306 2RZ C3
NDE Bearing	6306 2RZ C3