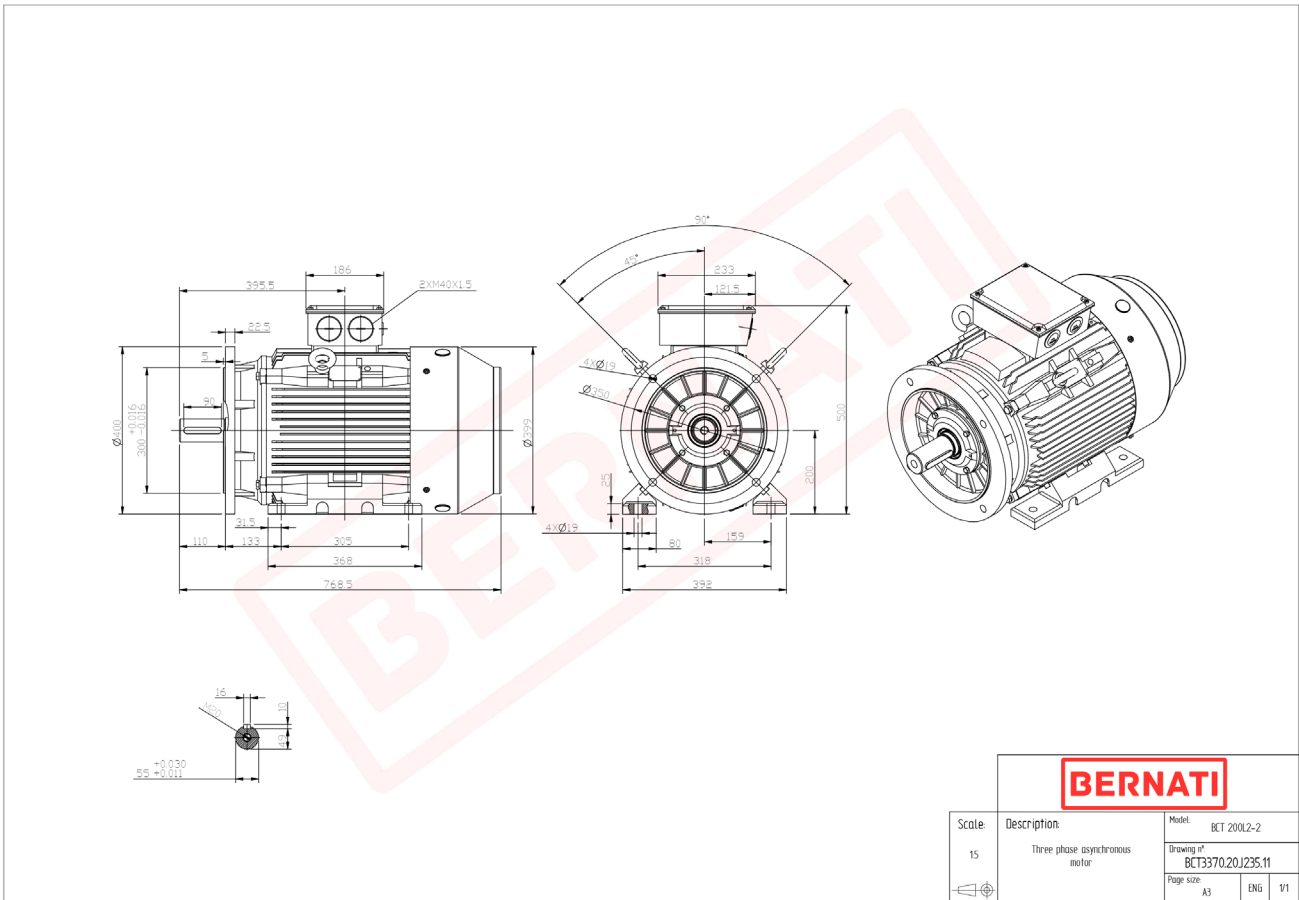


Technical Datasheet



BCT Series - Cast iron frame three phase low voltage electric motor



BCT

Product Code	BCT3370.20J235.11
Motor Type/Frame	BCT 200L2-2
Mounting	IM B3/B5
Efficiency Class	IE3
Output Power (kW)	37.00
Speed (rpm)	2945
Tension (V)	230/400
Frequency (Hz)	50
Current (A)	64.00
Power factor (Cos Ø)	0.90
Poles	2
Insulation Class	F
IP Class	IP55
50% Efficiency	94.2
75% Efficiency	94.4
100% Efficiency	93.7
Torque (Nm)	120.00
Tstart / Tnominal	2.50
Istart / Inominal	8.50
Tmax / Tnominal	2.50
Noise (dB)	92
PTC Thermistor	PTC 130
Weight (Kg)	268
DE Bearing	6312 C3
NDE Bearing	6312 C3