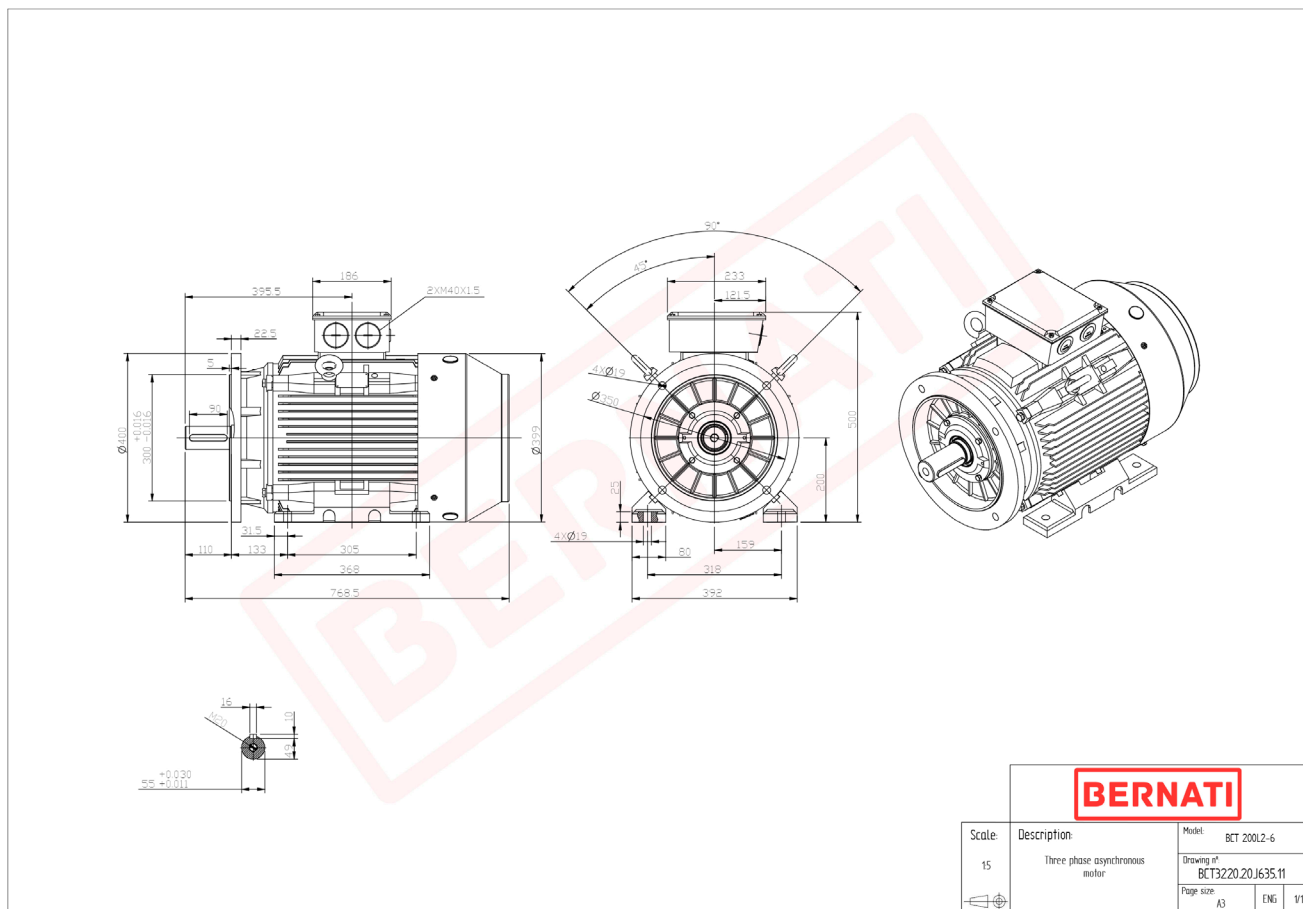


Technical Datasheet

BERNATI

BCT Series - Cast iron frame three phase low voltage electric motor



BCT

| | |
|----------------------|-------------------|
| Product Code | BCT3220.20J635.11 |
| Motor Type/Frame | BCT 200L2-6 |
| Mounting | IM B3/B5 |
| Efficiency Class | IE3 |
| Output Power (kW) | 22.00 |
| Speed (rpm) | 970 |
| Tension (V) | 230/400 |
| Frequency (Hz) | 50 |
| Current (A) | 42.50 |
| Power factor (Cos Ø) | 0.80 |
| Poles | 6 |
| Insulation Class | F |
| IP Class | IP55 |
| 50% Efficiency | 91.3 |
| 75% Efficiency | 93.0 |
| 100% Efficiency | 92.2 |
| Torque (Nm) | 216.60 |
| Tstart / Tnominal | 2.50 |
| Istart / Inominal | 10.00 |
| Tmax / Tnominal | 2.80 |
| Noise (dB) | 76 |
| PTC Thermistor | PTC 130 |
| Weight (Kg) | 249 |
| DE Bearing | 6312 C3 |
| NDE Bearing | 6312 C3 |