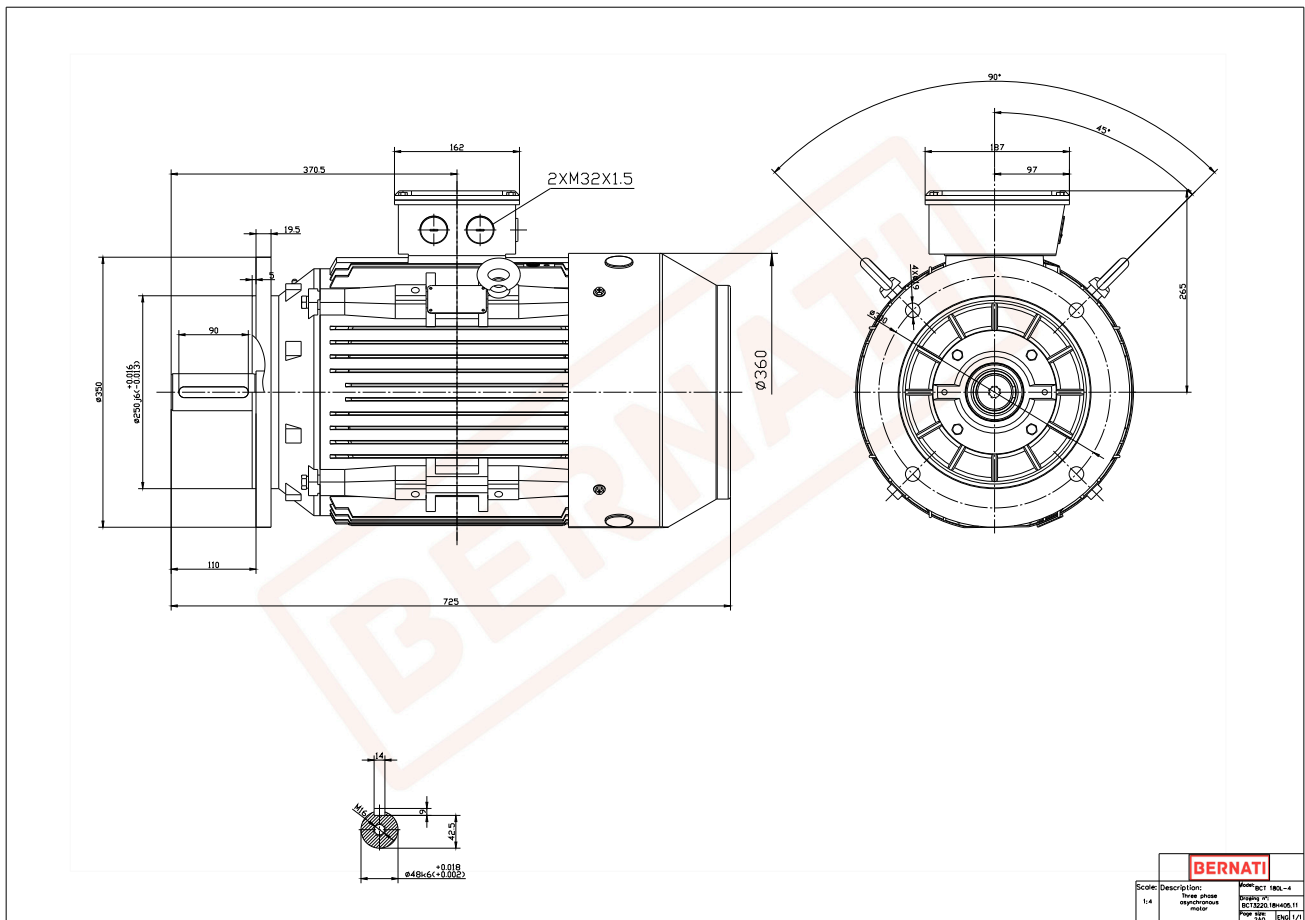


# Technical Datasheet

**BERNATI**

BCT Series - Cast iron frame three phase low voltage electric motor



## BCT

Product Code	BCT3220.18H405.11
Motor Type/Frame	BCT 180L-4
Mounting	IM B5
Efficiency Class	IE3
Output Power (kW)	22.00
Speed (rpm)	1460
Tension (V)	230/400
Frequency (Hz)	50
Current (A)	39.30
Power factor (Cos Ø)	0.90
Poles	4
Insulation Class	F
IP Class	IP55
50% Efficiency	92.9
75% Efficiency	93.7
100% Efficiency	93.0
Torque (Nm)	143.00
Tstart / Tnominal	2.50
Istart / Inominal	10.00
Tmax / Tnominal	3.00
Noise (dB)	76
PTC Thermistor	PTC 130
Weight (Kg)	196
DE Bearing	6311 C3
NDE Bearing	6311 C3