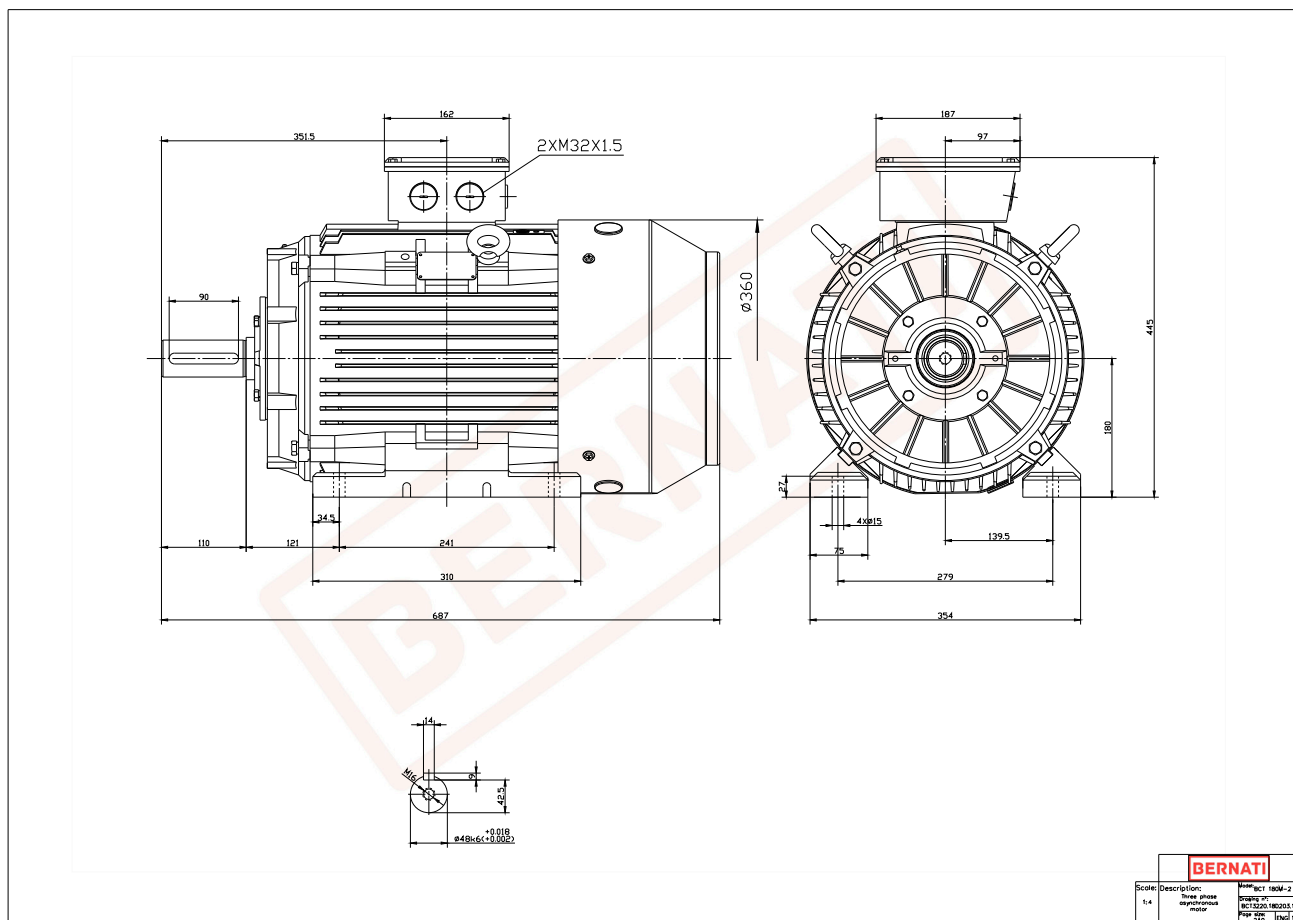


# Technical Datasheet

**BERNATI**

BCT Series - Cast iron frame three phase low voltage electric motor



## BCT

|                            |                   |
|----------------------------|-------------------|
| Product Code               | BCT3220.18D203.11 |
| Motor Type/Frame           | BCT 180M-2        |
| Mounting                   | IM B3             |
| Efficiency Class           | IE3               |
| Output Power (kW)          | 22.00             |
| Speed (rpm)                | 2945              |
| Tension (V)                | 230/400           |
| Frequency (Hz)             | 50                |
| Current (A)                | 38.50             |
| Power factor (Cos $\phi$ ) | 0.90              |
| Poles                      | 2                 |
| Insulation Class           | F                 |
| IP Class                   | IP55              |
| 50% Efficiency             | 93.6              |
| 75% Efficiency             | 94.1              |
| 100% Efficiency            | 92.7              |
| Torque (Nm)                | 71.30             |
| Tstart / Tnominal          | 2.50              |
| Istart / Inominal          | 9.00              |
| Tmax / Tnominal            | 3.00              |
| Noise (dB)                 | 89                |
| PTC Thermistor             | PTC 130           |
| Weight (Kg)                | 183               |
| DE Bearing                 | 6311 C3           |
| NDE Bearing                | 6311 C3           |