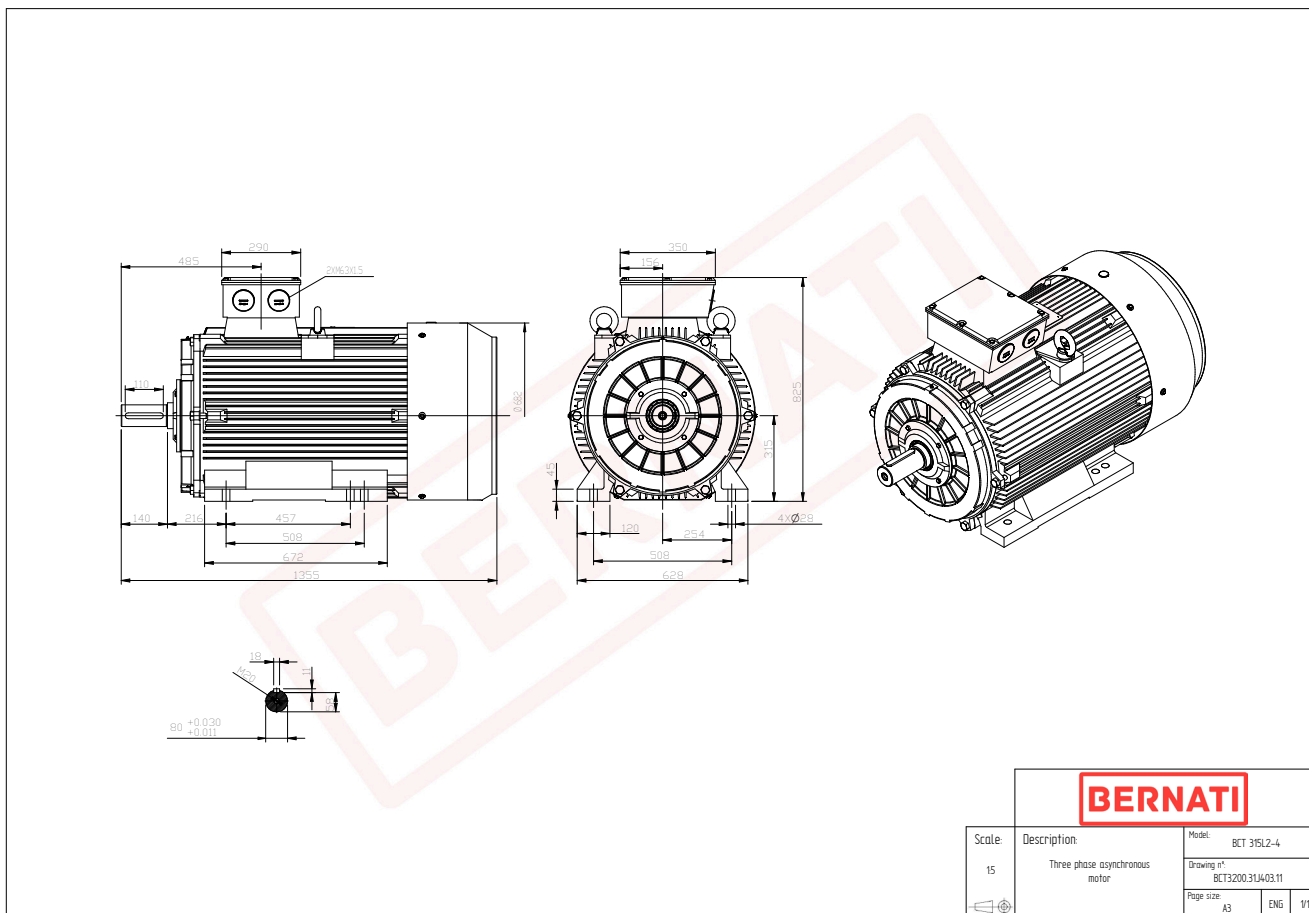


Technical Datasheet

BERNATI

BCT Series - Cast iron frame three phase low voltage electric motor



BCT

Product Code	BCT3200.31J403.11
Motor Type/Frame	BCT 315L2-4
Mounting	IM B3
Efficiency Class	IE3
Output Power (kW)	200.00
Speed (rpm)	1480
Tension (V)	230/400
Frequency (Hz)	50
Current (A)	337.90
Power factor (Cos Ø)	0.90
Poles	4
Insulation Class	F
IP Class	IP55
50% Efficiency	95.3
75% Efficiency	96.2
100% Efficiency	96.0
Torque (Nm)	1290.50
Tstart / Tnominal	2.20
Istart / Inominal	9.00
Tmax / Tnominal	2.60
Noise (dB)	97
PTC Thermistor	PTC 130
Weight (Kg)	1400
DE Bearing	NU319
NDE Bearing	6319 C3