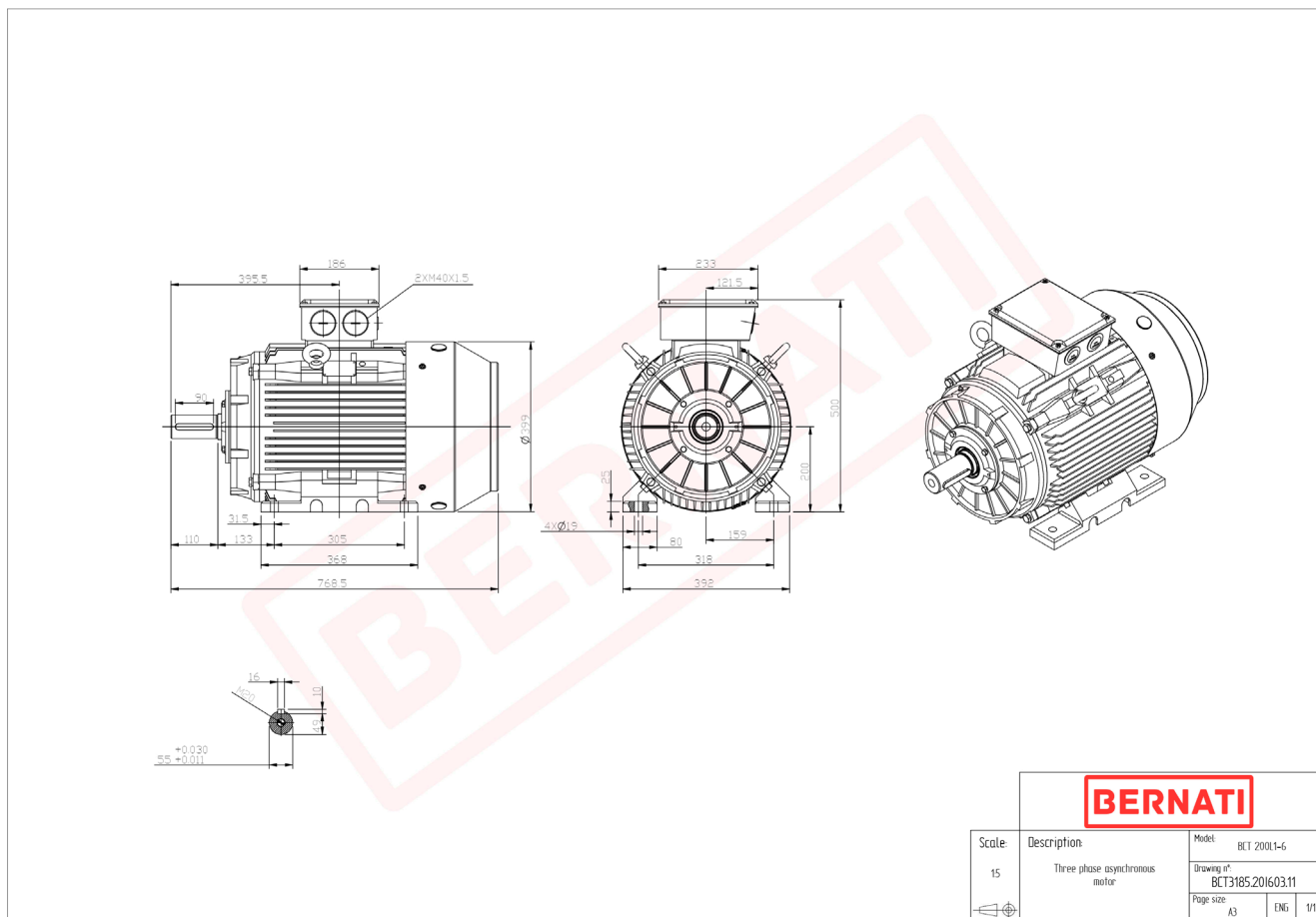


Technical Datasheet

BERNATI

BCT Series - Cast iron frame three phase low voltage electric motor



BCT

Product Code	BCT3185.201603.11
Motor Type/Frame	BCT 200L1-6
Mounting	IM B3
Efficiency Class	IE3
Output Power (kW)	18.50
Speed (rpm)	970
Tension (V)	230/400
Frequency (Hz)	50
Current (A)	36.40
Power factor (Cos Ø)	0.80
Poles	6
Insulation Class	F
IP Class	IP55
50% Efficiency	90.6
75% Efficiency	92.3
100% Efficiency	91.7
Torque (Nm)	182.10
Tstart / Tnominal	2.50
Istart / Inominal	9.50
Tmax / Tnominal	2.80
Noise (dB)	76
PTC Thermistor	PTC 130
Weight (Kg)	231
DE Bearing	6312 C3
NDE Bearing	6312 C3