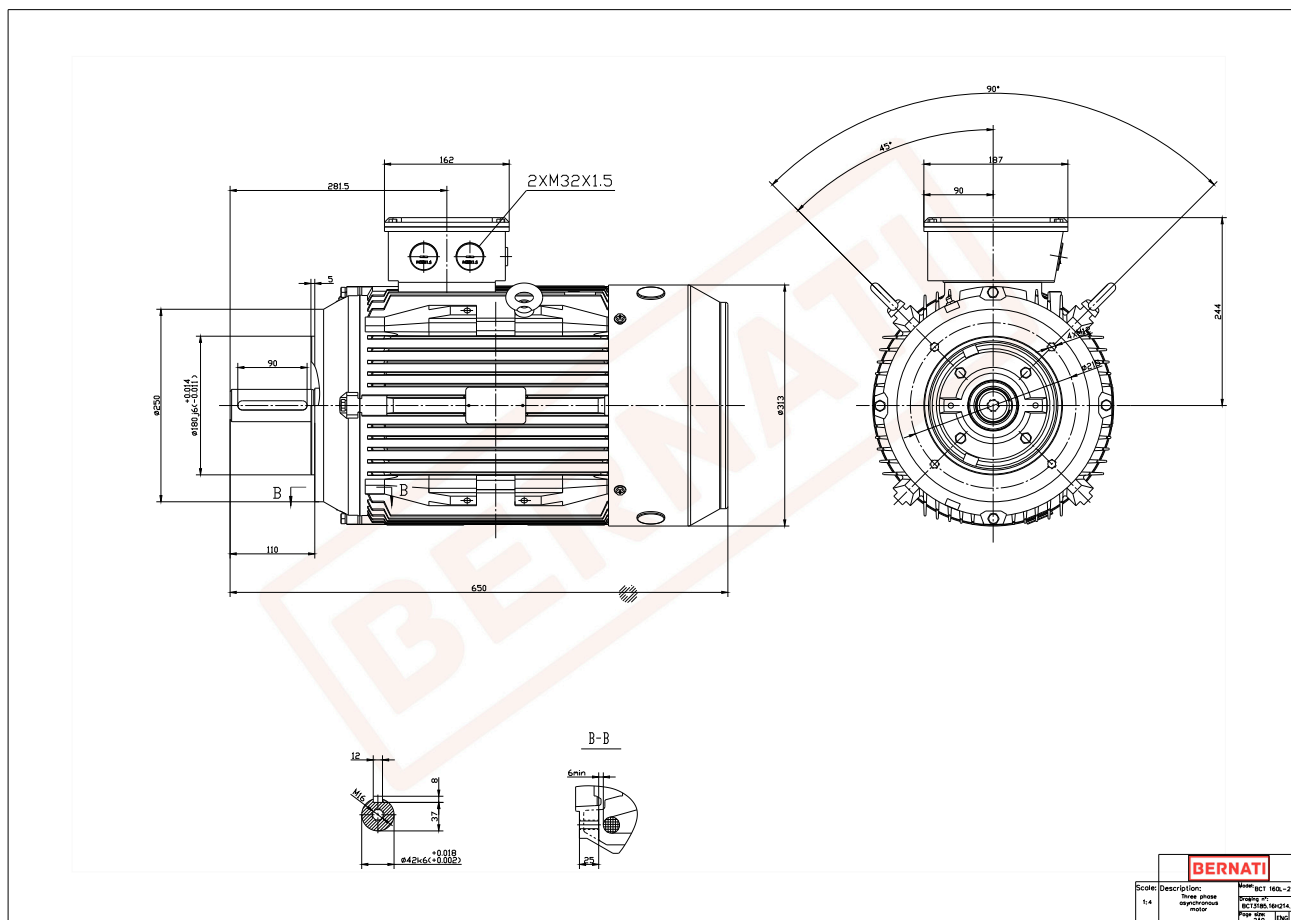


# Technical Datasheet

**BERNATI**

BCT Series - Cast iron frame three phase low voltage electric motor



## BCT

|                      |                   |
|----------------------|-------------------|
| Product Code         | BCT3185.16H214.11 |
| Motor Type/Frame     | BCT 160L-2        |
| Mounting             | IM B14            |
| Efficiency Class     | IE3               |
| Output Power (kW)    | 18.50             |
| Speed (rpm)          | 2940              |
| Tension (V)          | 230/400           |
| Frequency (Hz)       | 50                |
| Current (A)          | 31.80             |
| Power factor (Cos Ø) | 0.90              |
| Poles                | 2                 |
| Insulation Class     | F                 |
| IP Class             | IP55              |
| 50% Efficiency       | 93.3              |
| 75% Efficiency       | 93.5              |
| 100% Efficiency      | 92.4              |
| Torque (Nm)          | 60.10             |
| Tstart / Tnominal    | 2.50              |
| Istart / Inominal    | 9.50              |
| Tmax / Tnominal      | 3.00              |
| Noise (dB)           | 86                |
| PTC Thermistor       | PTC 130           |
| Weight (Kg)          | 144               |
| DE Bearing           | 6309 C3           |
| NDE Bearing          | 6309 C3           |