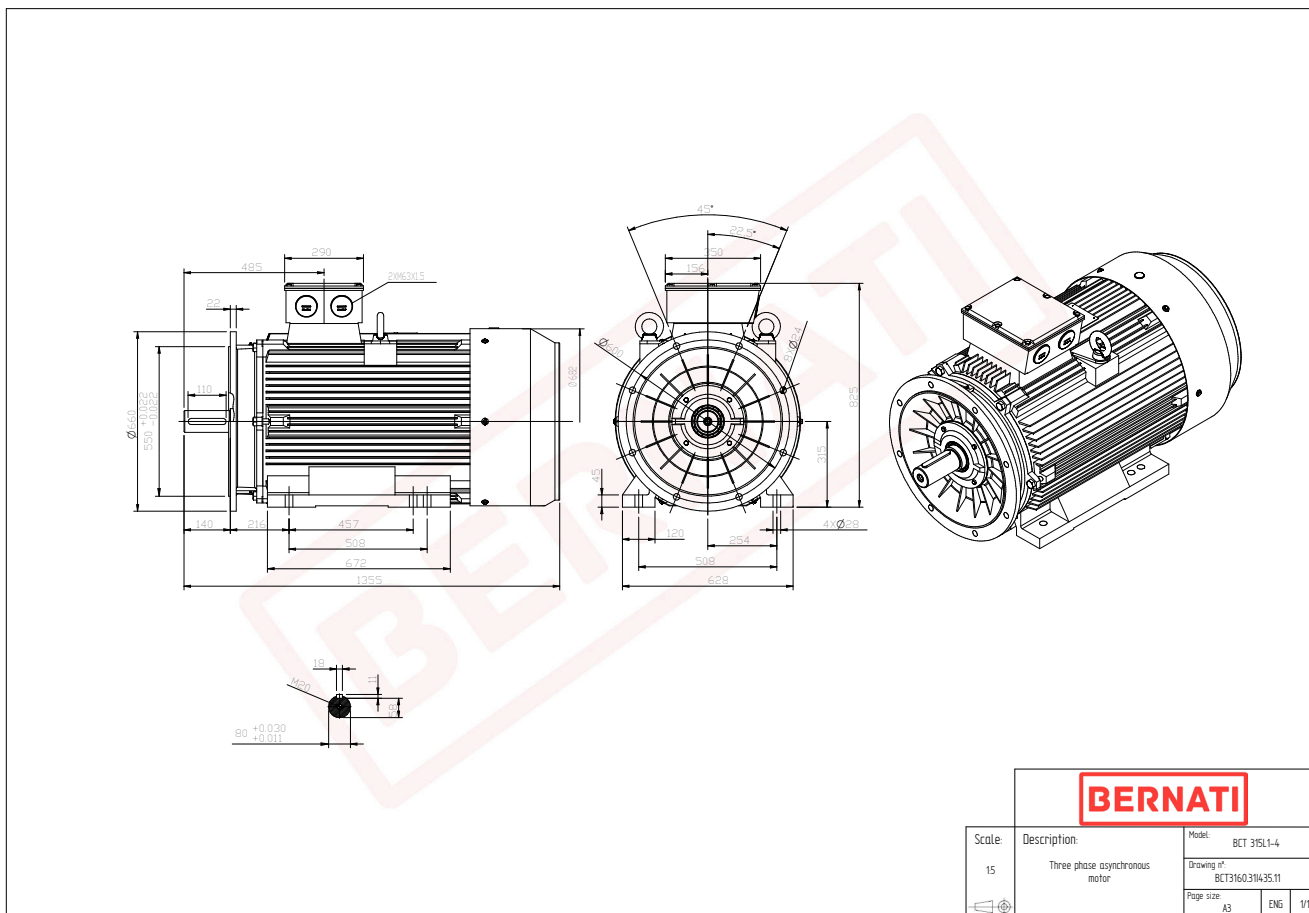


# Technical Datasheet

**BERNATI**

BCT Series - Cast iron frame three phase low voltage electric motor



<b>BERNATI</b>		
Scale:	Description:	Model:
15	Three phase asynchronous motor	BCT 315L1-4
		Drawing n°:
		BCT3160.314-35.11
		Page size:
		A3
		ENG
		1/1

## BCT

Product Code	BCT3160.31435.11
Motor Type/Frame	BCT 315L1-4
Mounting	IM B3/B5
Efficiency Class	IE3
Output Power (kW)	160.00
Speed (rpm)	1480
Tension (V)	230/400
Frequency (Hz)	50
Current (A)	273.90
Power factor (Cos Ø)	0.90
Poles	4
Insulation Class	F
IP Class	IP55
50% Efficiency	95.1
75% Efficiency	96.0
100% Efficiency	95.8
Torque (Nm)	1032.40
Tstart / Tnominal	2.20
Istart / Inominal	9.00
Tmax / Tnominal	2.60
Noise (dB)	97
PTC Thermistor	PTC 130
Weight (Kg)	1240
DE Bearing	NU319
NDE Bearing	6319 C3