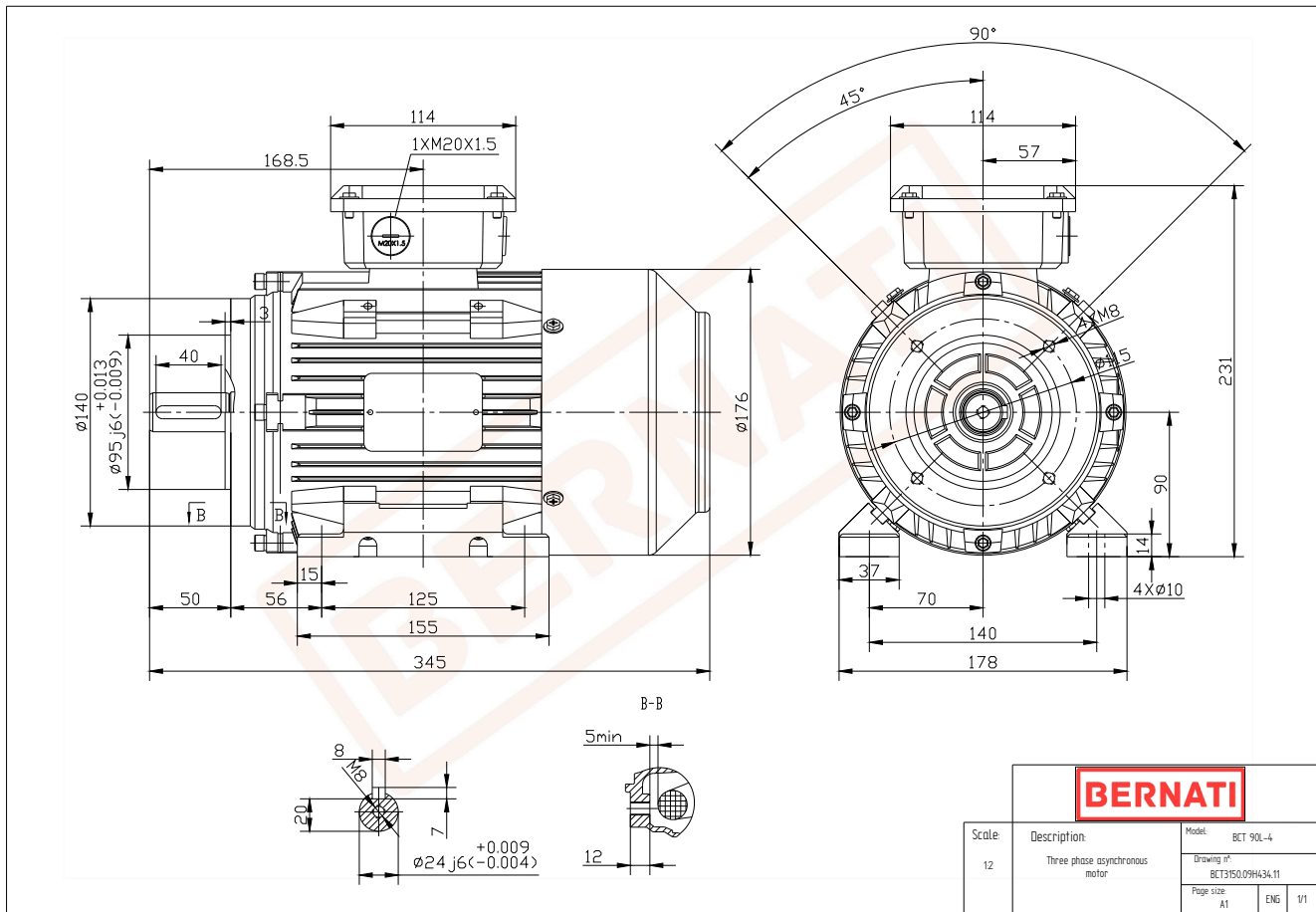


# Technical Datasheet



## BCT Series - Cast iron frame three phase low voltage electric motor



### BCT

Product Code	BCT3150.09H434.11
Motor Type/Frame	BCT 90L-4
Mounting	IM B3/B14
Efficiency Class	IE3
Output Power (kW)	1.50
Speed (rpm)	1430
Tension (V)	230/400
Frequency (Hz)	50
Current (A)	3.60
Power factor (Cos Ø)	0.70
Poles	4
Insulation Class	F
IP Class	IP55
50% Efficiency	85.2
75% Efficiency	86.1
100% Efficiency	85.3
Torque (Nm)	10.00
Tstart / Tnominal	2.80
Istart / Inominal	7.30
Tmax / Tnominal	3.00
Noise (dB)	61
PTC Thermistor	PTC 130
Weight (Kg)	26
DE Bearing	6205 2RZ C3
NDE Bearing	6205 2RZ C3