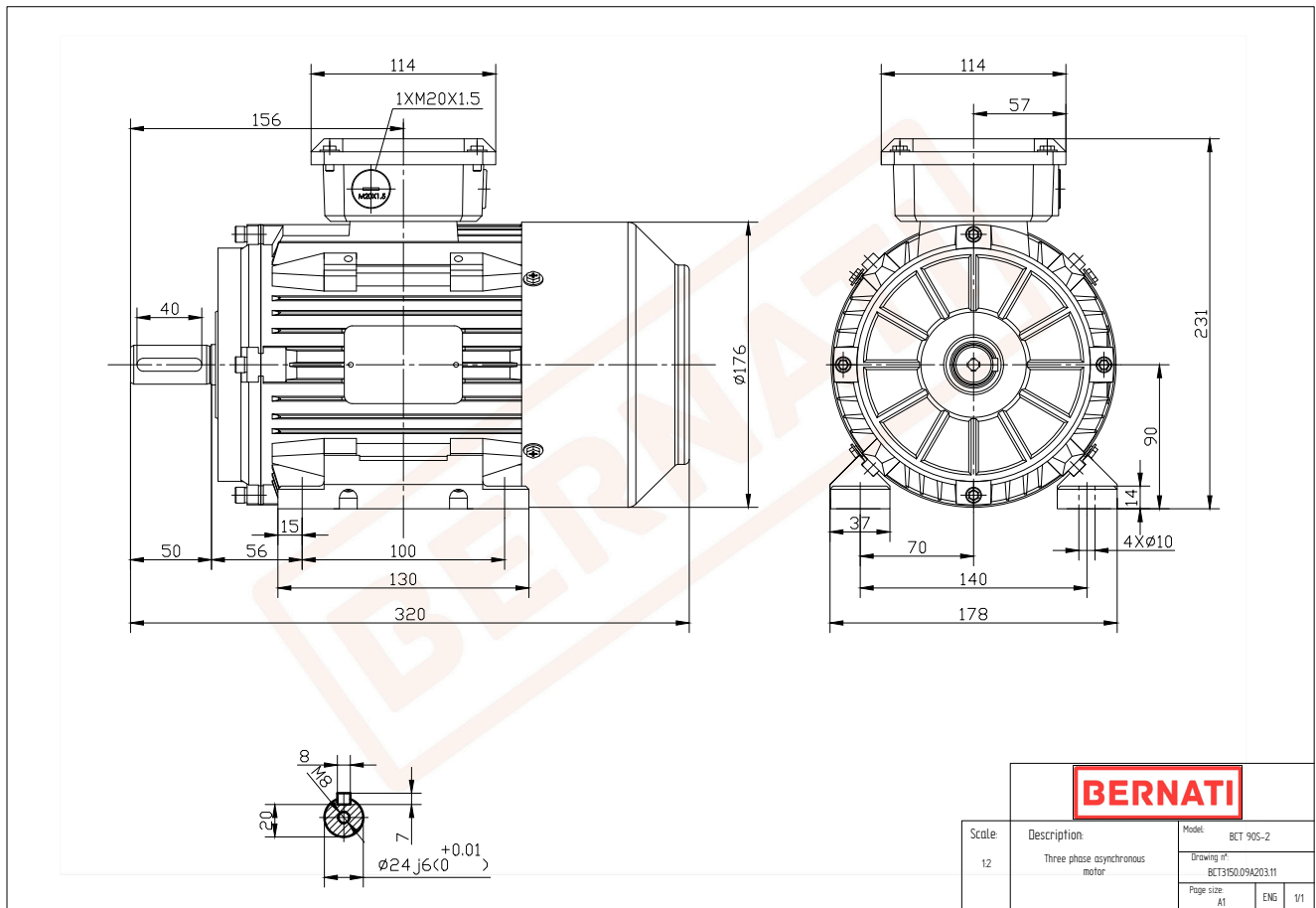


BCT Series - Cast iron frame three phase low voltage electric motor



BCT

Product Code	BCT3150.09A203.11
Motor Type/Frame	BCT 90S-2
Mounting	IM B3
Efficiency Class	IE3
Output Power (kW)	1.50
Speed (rpm)	2880
Tension (V)	230/400
Frequency (Hz)	50
Current (A)	3.10
Power factor (Cos Ø)	0.80
Poles	2
Insulation Class	F
IP Class	IP55
50% Efficiency	84.0
75% Efficiency	84.9
100% Efficiency	84.2
Torque (Nm)	5.00
Tstart / Tnominal	2.50
Istart / Inominal	8.50
Tmax / Tnominal	2.80
Noise (dB)	72
PTC Thermistor	PTC 130
Weight (Kg)	22
DE Bearing	6205 2RZ C3
NDE Bearing	6205 2RZ C3