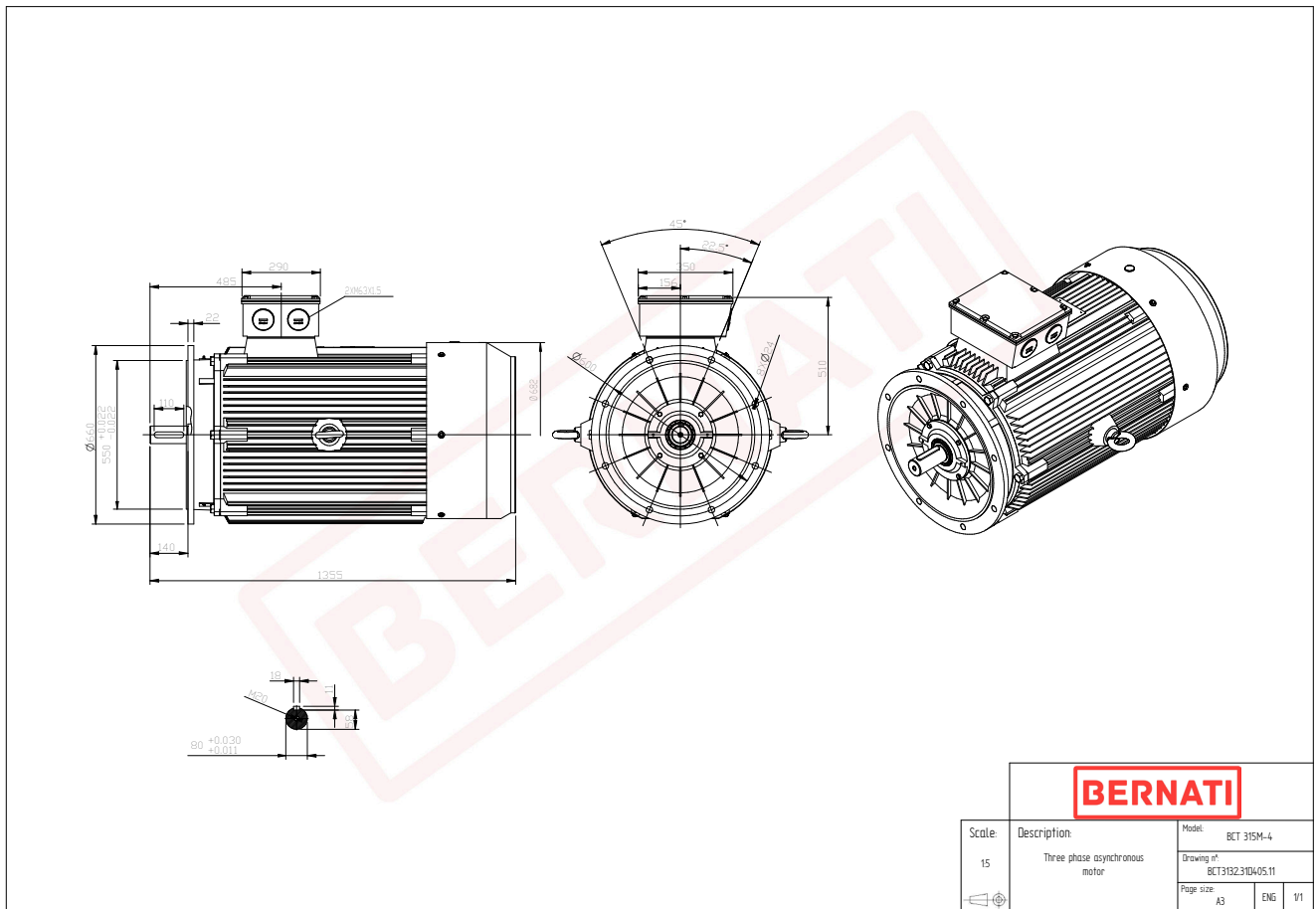


Technical Datasheet



BCT Series - Cast iron frame three phase low voltage electric motor



BERNATI		
Scale:	Description:	Model:
15	Three phase asynchronous motor	BCT 315M-4
		Drawing n°:
		BCT3132.31D405.11
		Page size:
		A3
		ENG
		1/1

BCT	
Product Code	BCT3132.31D405.11
Motor Type/Frame	BCT 315M-4
Mounting	IM B5
Efficiency Class	IE3
Output Power (kW)	132.00
Speed (rpm)	1480
Tension (V)	230/400
Frequency (Hz)	50
Current (A)	226.50
Power factor (Cos Ø)	0.90
Poles	4
Insulation Class	F
IP Class	IP55
50% Efficiency	95.0
75% Efficiency	95.8
100% Efficiency	95.6
Torque (Nm)	851.80
Tstart / Tnominal	2.20
Istart / Inominal	9.00
Tmax / Tnominal	2.60
Noise (dB)	93
PTC Thermistor	PTC 130
Weight (Kg)	1155
DE Bearing	NU319
NDE Bearing	6319 C3