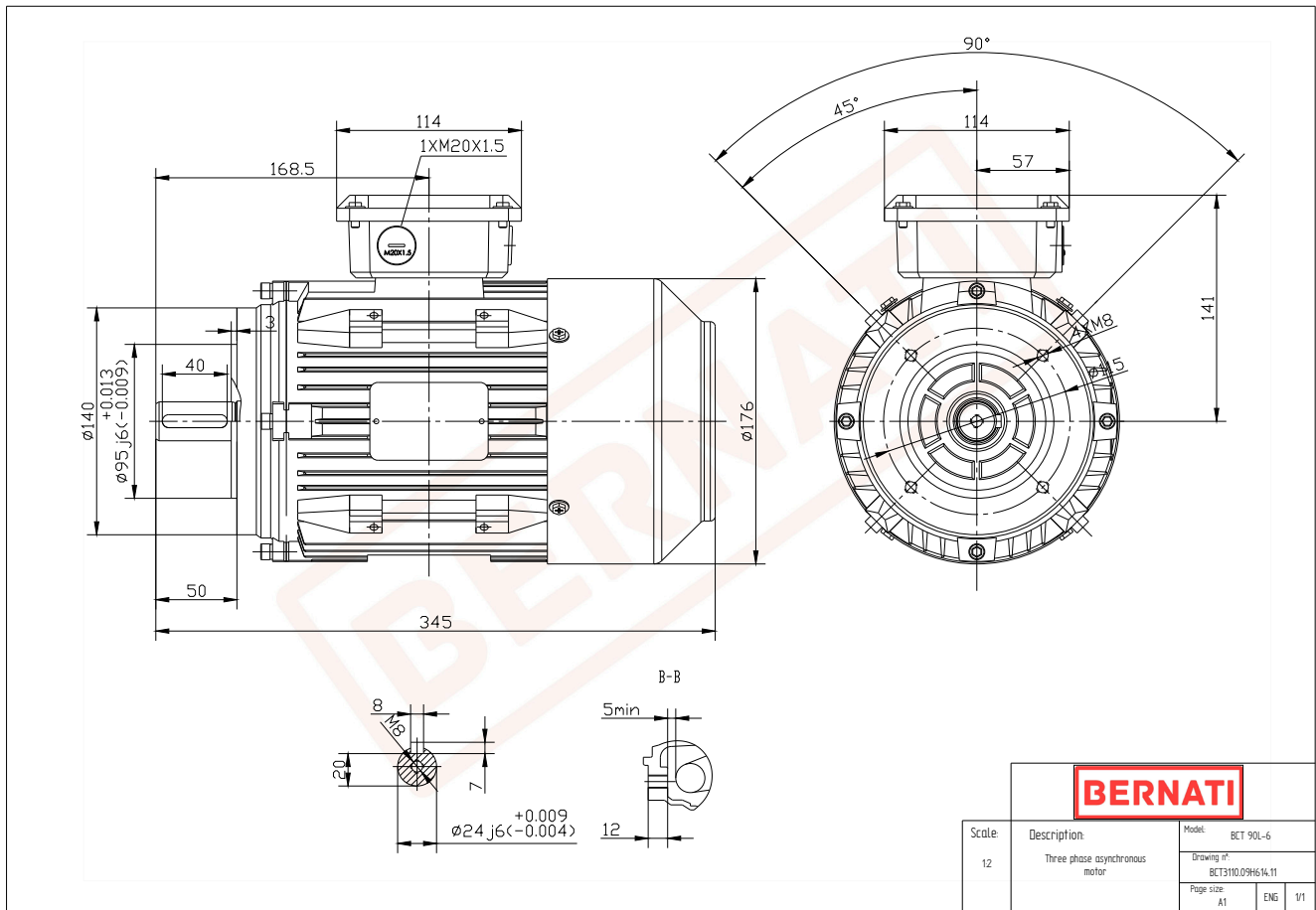


Technical Datasheet



BCT Series - Cast iron frame three phase low voltage electric motor



BCT	
Product Code	BCT3110.09H614.11
Motor Type/Frame	BCT 90L-6
Mounting	IM B14
Efficiency Class	IE3
Output Power (kW)	1.10
Speed (rpm)	940
Tension (V)	230/400
Frequency (Hz)	50
Current (A)	3.00
Power factor (Cos ϕ)	0.70
Poles	6
Insulation Class	F
IP Class	IP55
50% Efficiency	80.2
75% Efficiency	81.5
100% Efficiency	81.0
Torque (Nm)	11.20
T _{start} / T _{nominal}	2.30
I _{start} / I _{nominal}	5.20
T _{max} / T _{nominal}	2.20
Noise (dB)	57
PTC Thermistor	PTC 130
Weight (Kg)	26
DE Bearing	6205 2RZ C3
NDE Bearing	6205 2RZ C3