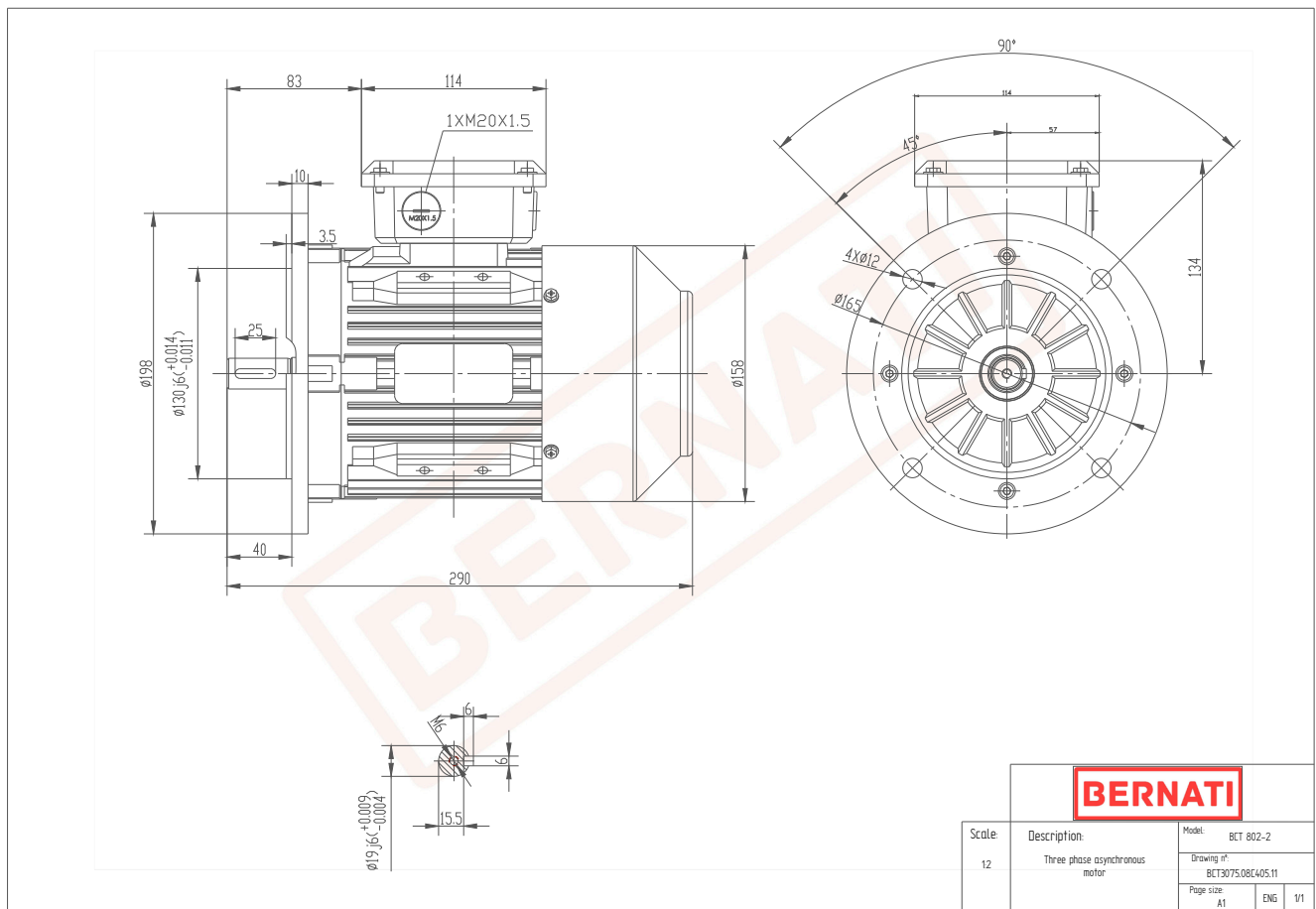


# Technical Datasheet

**BERNATI**

BCT Series - Cast iron frame three phase low voltage electric motor



<b>BCT</b>	
Product Code	BCT3075.08C405.11
Motor Type/Frame	BCT 802-4
Mounting	IM B5
Efficiency Class	IE3
Output Power (kW)	0.75
Speed (rpm)	1420
Tension (V)	230/400
Frequency (Hz)	50
Current (A)	1.90
Power factor (Cos Ø)	0.70
Poles	4
Insulation Class	F
IP Class	IP55
50% Efficiency	80.6
75% Efficiency	82.8
100% Efficiency	82.5
Torque (Nm)	5.10
Tstart / Tnominal	2.80
Istart / Inominal	6.30
Tmax / Tnominal	2.80
Noise (dB)	58
PTC Thermistor	PTC 130
Weight (Kg)	18
DE Bearing	6204 2RZ C3
NDE Bearing	6204 2RZ C3