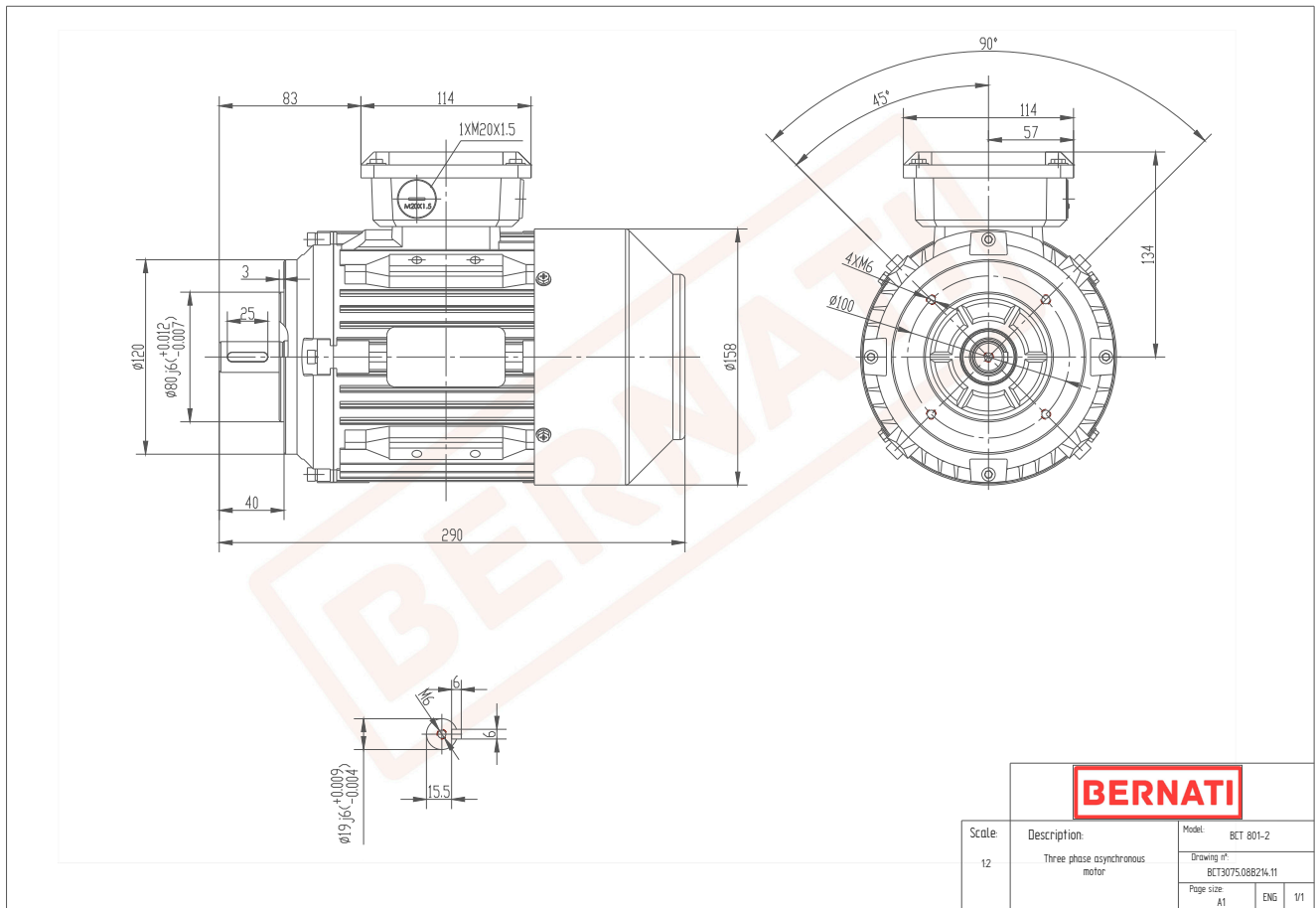


Technical Datasheet

BERNATI

BCT Series - Cast iron frame three phase low voltage electric motor



BCT

Product Code	BCT3075.08B214.11
Motor Type/Frame	BCT 801-2
Mounting	IM B14
Efficiency Class	IE3
Output Power (kW)	0.75
Speed (rpm)	2880
Tension (V)	230/400
Frequency (Hz)	50
Current (A)	1.70
Power factor (Cos Ø)	0.80
Poles	2
Insulation Class	F
IP Class	IP55
50% Efficiency	76.2
75% Efficiency	81.0
100% Efficiency	80.7
Torque (Nm)	2.50
Tstart / Tnominal	2.50
Istart / Inominal	7.50
Tmax / Tnominal	2.80
Noise (dB)	67
PTC Thermistor	PTC 130
Weight (Kg)	15
DE Bearing	6204 2RZ C3
NDE Bearing	6204 2RZ C3