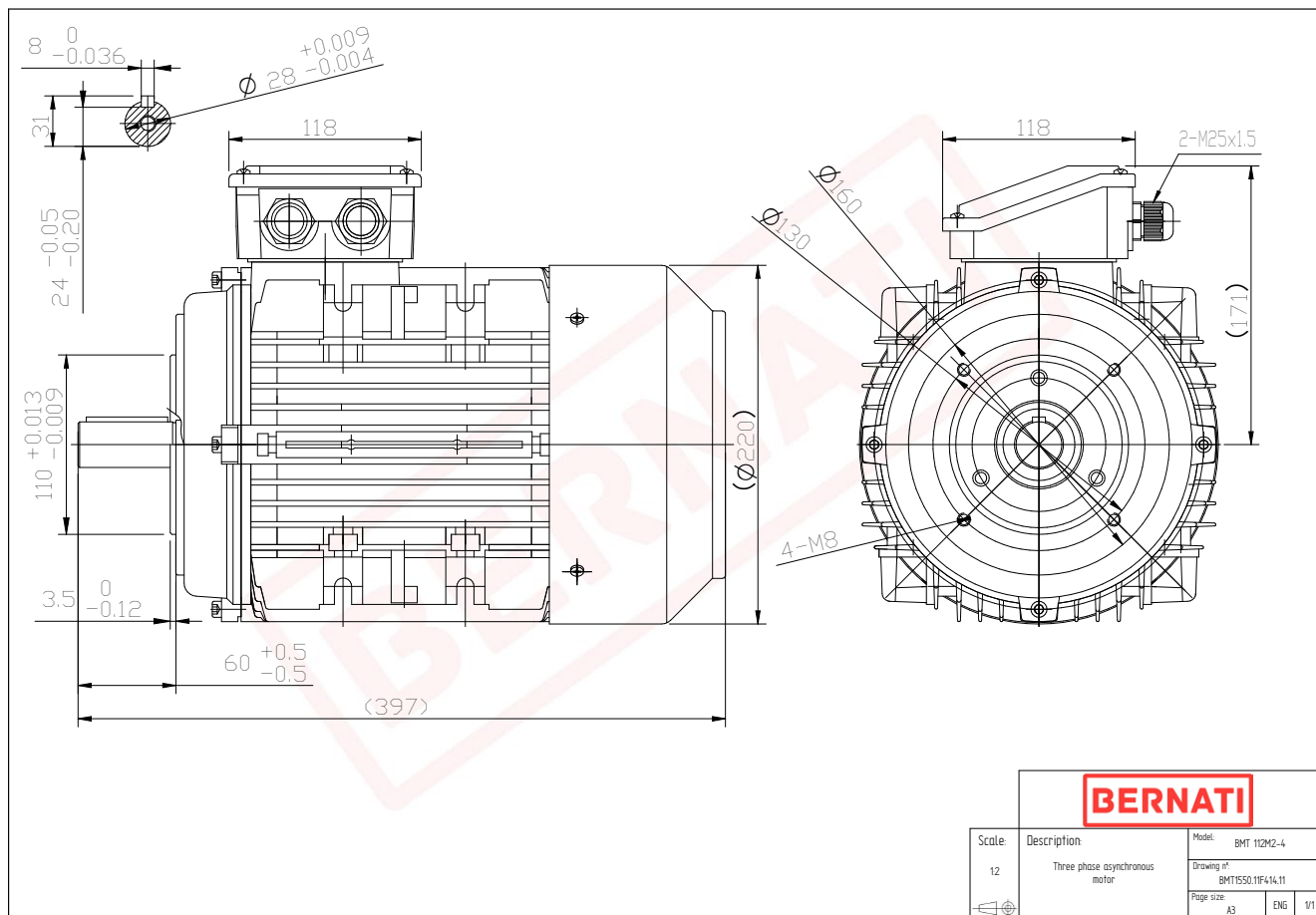


Technical Datasheet



BMT Series - Aluminum frame three phase low voltage electric motor



BMT

Product Code	BMT1550.11F414.11
Motor Type/Frame	BMT 112M2-4
Mounting	IM B14
Efficiency Class	IE1
Output Power (kW)	5.50
Speed (rpm)	1450
Tension (V)	230/400
Frequency (Hz)	50
Current (A)	11.92
Power factor (Cos Ø)	0.77
Poles	4
Insulation Class	F
IP Class	IP55
50% Efficiency	85.4
75% Efficiency	86.8
100% Efficiency	86.5
Torque (Nm)	36.20
Tstart / Tnominal	2.60
Istart / Inominal	7.90
Tmax / Tnominal	3.50
Noise (dB)	71
PTC Thermistor	N/A
Weight (Kg)	36
DE Bearing	6306 2RZ C3
NDE Bearing	6206 2RZ C3