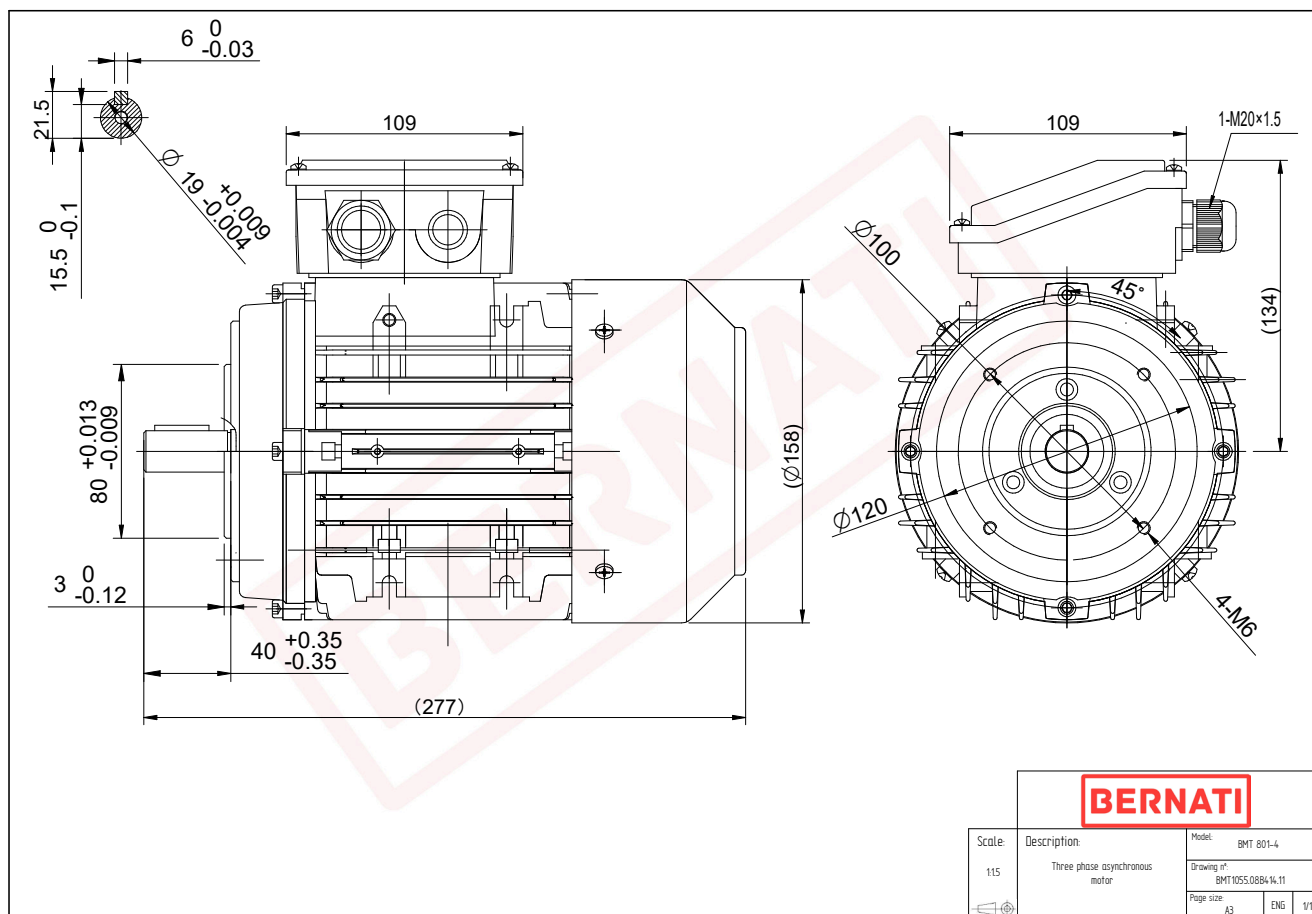


# Technical Datasheet



## BMT Series - Aluminum frame three phase low voltage electric motor



<b>BMT</b>	
Product Code	BMT1055.08B414.11
Motor Type/Frame	BMT 801-4
Mounting	IM B14
Efficiency Class	IE1
Output Power (kW)	0.75
Speed (rpm)	1420
Tension (V)	230/400
Frequency (Hz)	50
Current (A)	1.45
Power factor (Cos Ø)	0.75
Poles	4
Insulation Class	F
IP Class	IP55
50% Efficiency	67.1
75% Efficiency	72.2
100% Efficiency	73.0
Torque (Nm)	3.70
Tstart / Tnominal	2.00
Istart / Inominal	4.80
Tmax / Tnominal	2.30
Noise (dB)	57
PTC Thermistor	N/A
Weight (Kg)	8
DE Bearing	6204 2RZ C3
NDE Bearing	6204 2RZ C3