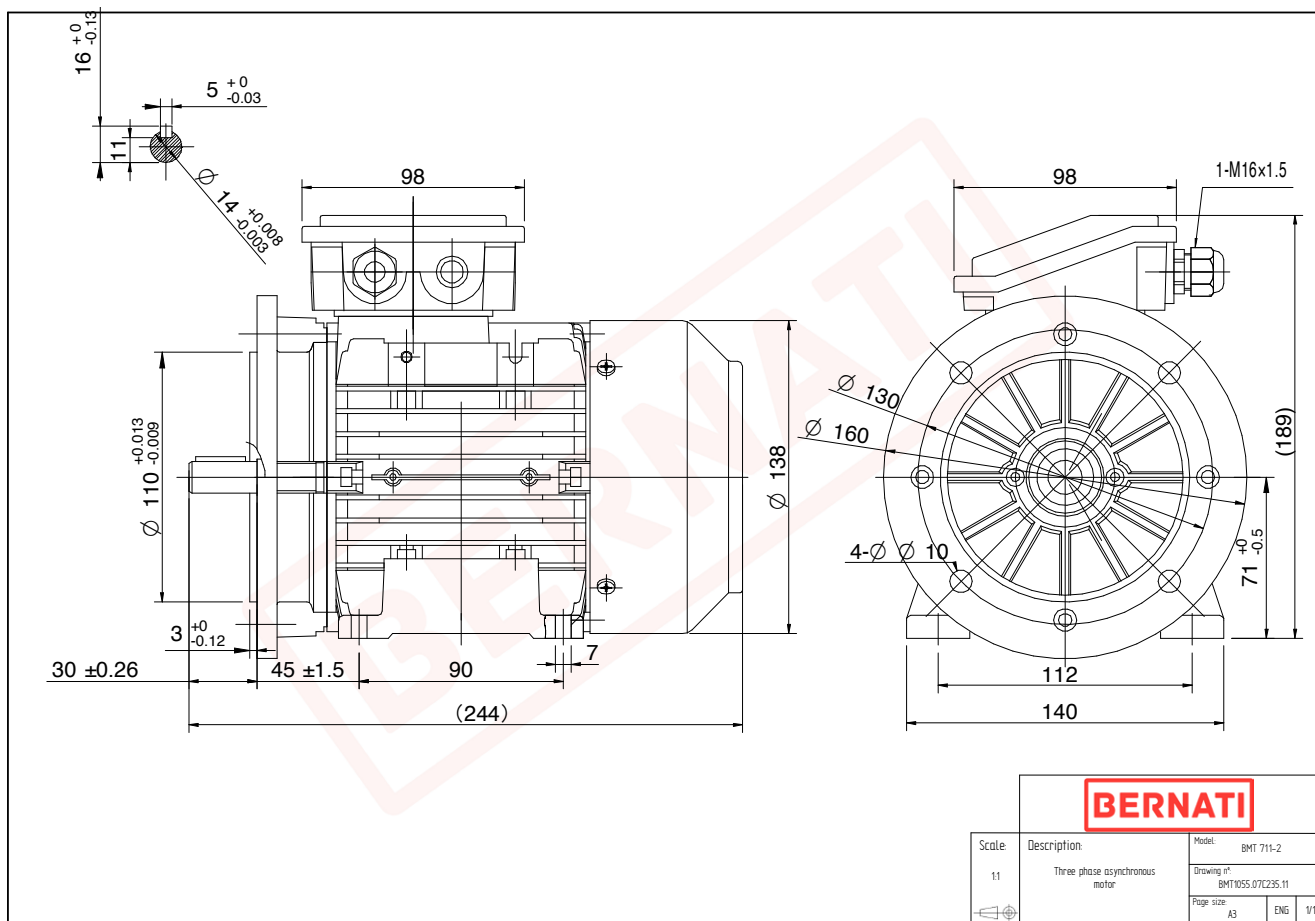


# Technical Datasheet



## BMT Series - Aluminum frame three phase low voltage electric motor



### BMT

Product Code	BMT1055.07C235.11
Motor Type/Frame	BMT 712-2
Mounting	IM B3/B5
Efficiency Class	IE1
Output Power (kW)	0.55
Speed (rpm)	2850
Tension (V)	230/400
Frequency (Hz)	50
Current (A)	1.32
Power factor (Cos Ø)	0.82
Poles	2
Insulation Class	F
IP Class	IP55
50% Efficiency	69.1
75% Efficiency	73.4
100% Efficiency	73.2
Torque (Nm)	1.80
T <sub>start</sub> / T <sub>nominal</sub>	1.80
I <sub>start</sub> / I <sub>nominal</sub>	5.10
T <sub>max</sub> / T <sub>nominal</sub>	2.30
Noise (dB)	64
PTC Thermistor	N/A
Weight (Kg)	6
DE Bearing	6202 2RZ C3
NDE Bearing	6202 2RZ C3