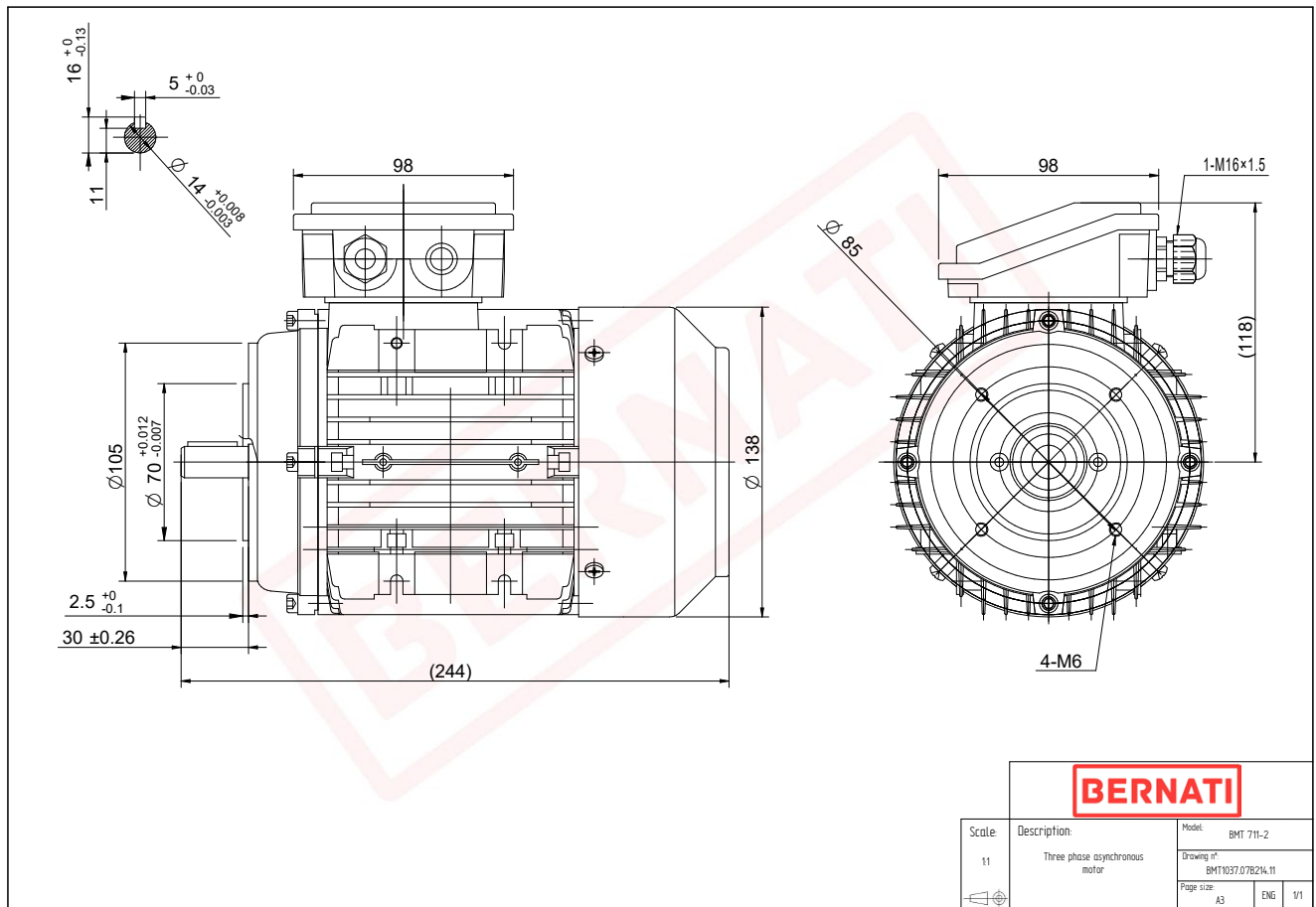


## BMT Series - Aluminum frame three phase low voltage electric motor



### BMT

Product Code	BMT1037.07B214.11
Motor Type/Frame	BMT 711-2
Mounting	IM B14
Efficiency Class	IE1
Output Power (kW)	0.37
Speed (rpm)	2840
Tension (V)	230/400
Frequency (Hz)	50
Current (A)	0.91
Power factor (Cos $\phi$ )	0.82
Poles	2
Insulation Class	F
IP Class	IP55
50% Efficiency	65.8
75% Efficiency	70.9
100% Efficiency	71.5
Torque (Nm)	1.20
T <sub>start</sub> / T <sub>nominal</sub>	2.00
I <sub>start</sub> / I <sub>nominal</sub>	5.10
T <sub>max</sub> / T <sub>nominal</sub>	2.20
Noise (dB)	64
PTC Thermistor	N/A
Weight (Kg)	5
DE Bearing	6202 2RZ C3
NDE Bearing	6202 2RZ C3