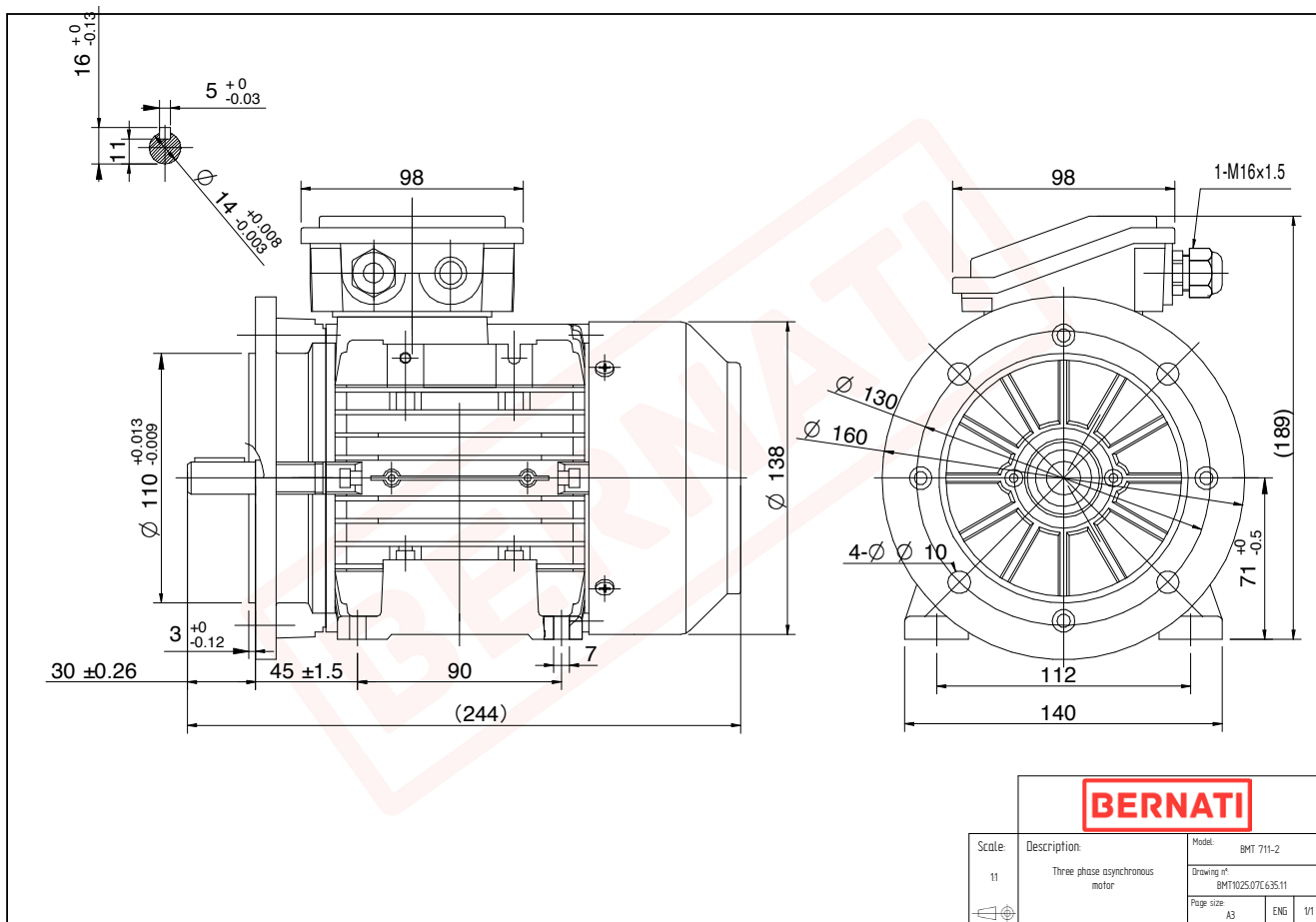


Technical Datasheet



BMT Series - Aluminum frame three phase low voltage electric motor



BMT

Product Code	BMT1025.07C635.11
Motor Type/Frame	BMT 712-6
Mounting	IM B3/B5
Efficiency Class	IE1
Output Power (kW)	0.25
Speed (rpm)	910
Tension (V)	230/400
Frequency (Hz)	50
Current (A)	0.89
Power factor (Cos \varnothing)	0.66
Poles	6
Insulation Class	F
IP Class	IP55
50% Efficiency	52.2
75% Efficiency	59.7
100% Efficiency	61.6
Torque (Nm)	2.60
T _{start} / T _{nominal}	2.10
I _{start} / I _{nominal}	3.40
T _{max} / T _{nominal}	2.30
Noise (dB)	52
PTC Thermistor	N/A
Weight (Kg)	6
DE Bearing	6202 2RZ C3
NDE Bearing	6202 2RZ C3