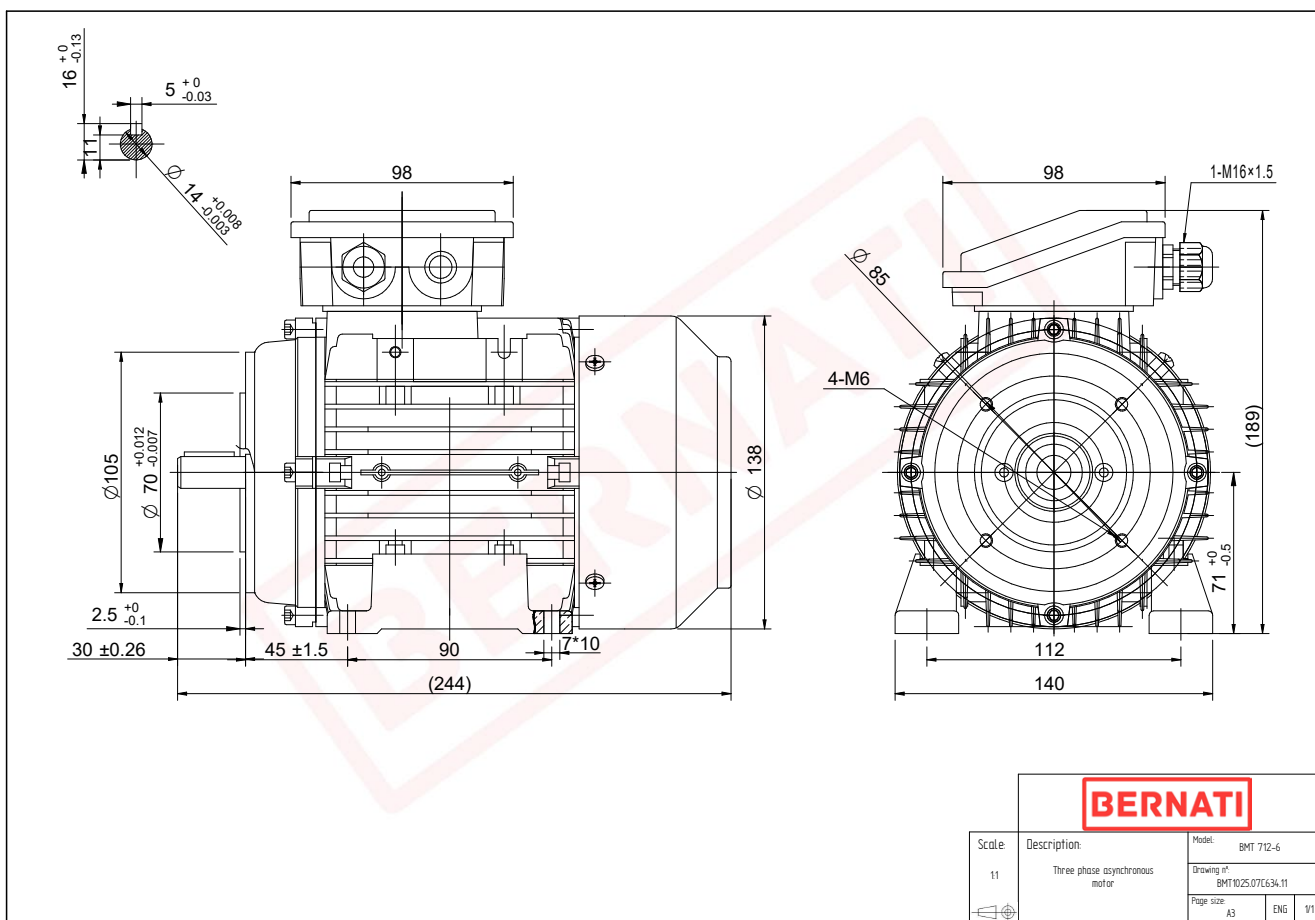


Technical Datasheet

BERNATI

BMT Series - Aluminum frame three phase low voltage electric motor



| BMT | |
|----------------------|-------------------|
| Product Code | BMT1025.07C634.11 |
| Motor Type/Frame | BMT 712-6 |
| Mounting | IM B3/B14 |
| Efficiency Class | IE1 |
| Output Power (kW) | 0.25 |
| Speed (rpm) | 910 |
| Tension (V) | 230/400 |
| Frequency (Hz) | 50 |
| Current (A) | 0.89 |
| Power factor (Cos Ø) | 0.66 |
| Poles | 6 |
| Insulation Class | F |
| IP Class | IP55 |
| 50% Efficiency | 52.2 |
| 75% Efficiency | 59.7 |
| 100% Efficiency | 61.6 |
| Torque (Nm) | 2.60 |
| Tstart / Tnominal | 2.10 |
| Istart / Inominal | 3.40 |
| Tmax / Tnominal | 2.30 |
| Noise (dB) | 52 |
| PTC Thermistor | N/A |
| Weight (Kg) | 6 |
| DE Bearing | 6202 2RZ C3 |
| NDE Bearing | 6202 2RZ C3 |