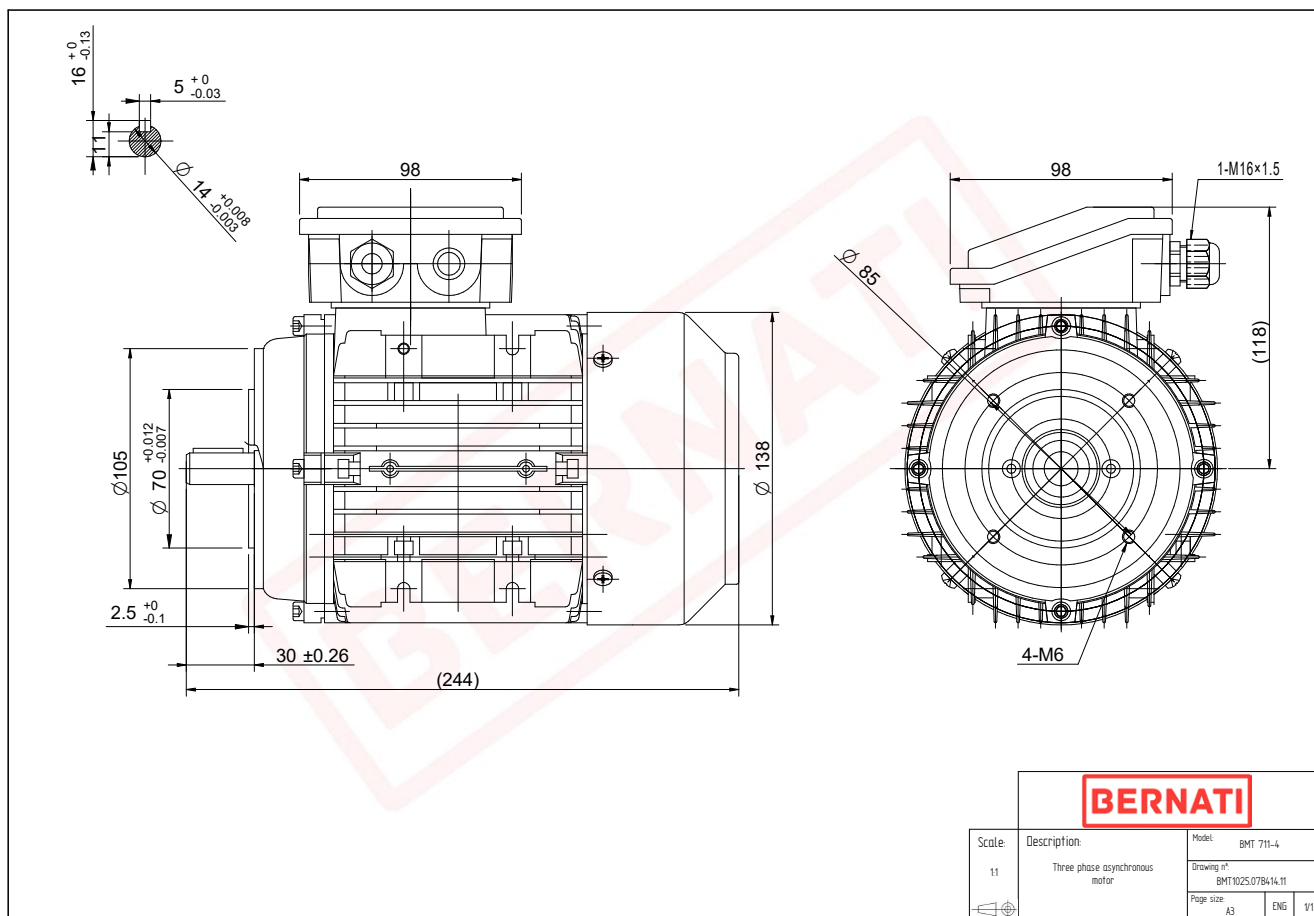


Technical Datasheet

BERNATI

BMT Series - Aluminum frame three phase low voltage electric motor



BMT	
Product Code	BMT1025.07B414.11
Motor Type/Frame	BMT 711-4
Mounting	IM B14
Efficiency Class	IE1
Output Power (kW)	0.25
Speed (rpm)	1390
Tension (V)	230/400
Frequency (Hz)	50
Current (A)	0.77
Power factor (Cos Ø)	0.68
Poles	4
Insulation Class	F
IP Class	IP55
50% Efficiency	62.4
75% Efficiency	67.9
100% Efficiency	69.0
Torque (Nm)	1.70
Tstart / Tnominal	2.20
Istart / Inominal	4.10
Tmax / Tnominal	2.30
Noise (dB)	55
PTC Thermistor	N/A
Weight (Kg)	5
DE Bearing	6202 2RZ C3
NDE Bearing	6202 2RZ C3