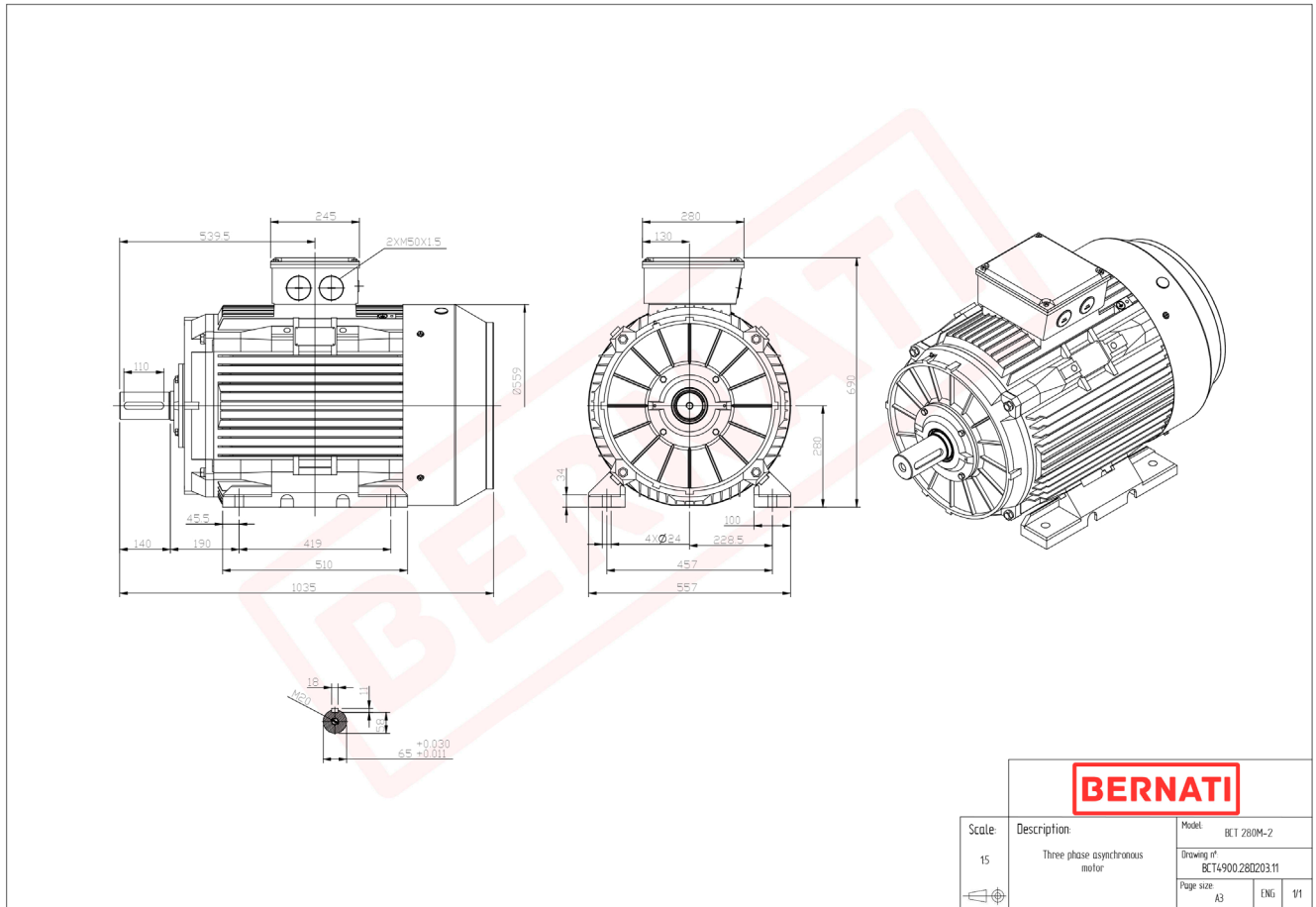


# Technical Datasheet



## BCT Series - Cast iron frame three phase low voltage electric motor



### BCT

Product Code	BCT4900.28D203.11
Motor Type/Frame	BCT 280M-2
Mounting	IM B3
Efficiency Class	IE4
Output Power (kW)	90.00
Speed (rpm)	2980
Tension (V)	230/400
Frequency (Hz)	50
Current (A)	152.40
Power factor (Cos Ø)	0.90
Poles	2
Insulation Class	F
IP Class	IP55
50% Efficiency	95.2
75% Efficiency	95.9
100% Efficiency	95.8
Torque (Nm)	288.60
Tstart / Tnominal	1.80
Istart / Inominal	8.50
Tmax / Tnominal	2.30
Noise (dB)	91
PTC Thermistor	PTC 130
Weight (Kg)	700
DE Bearing	6316 C3
NDE Bearing	6316 C3