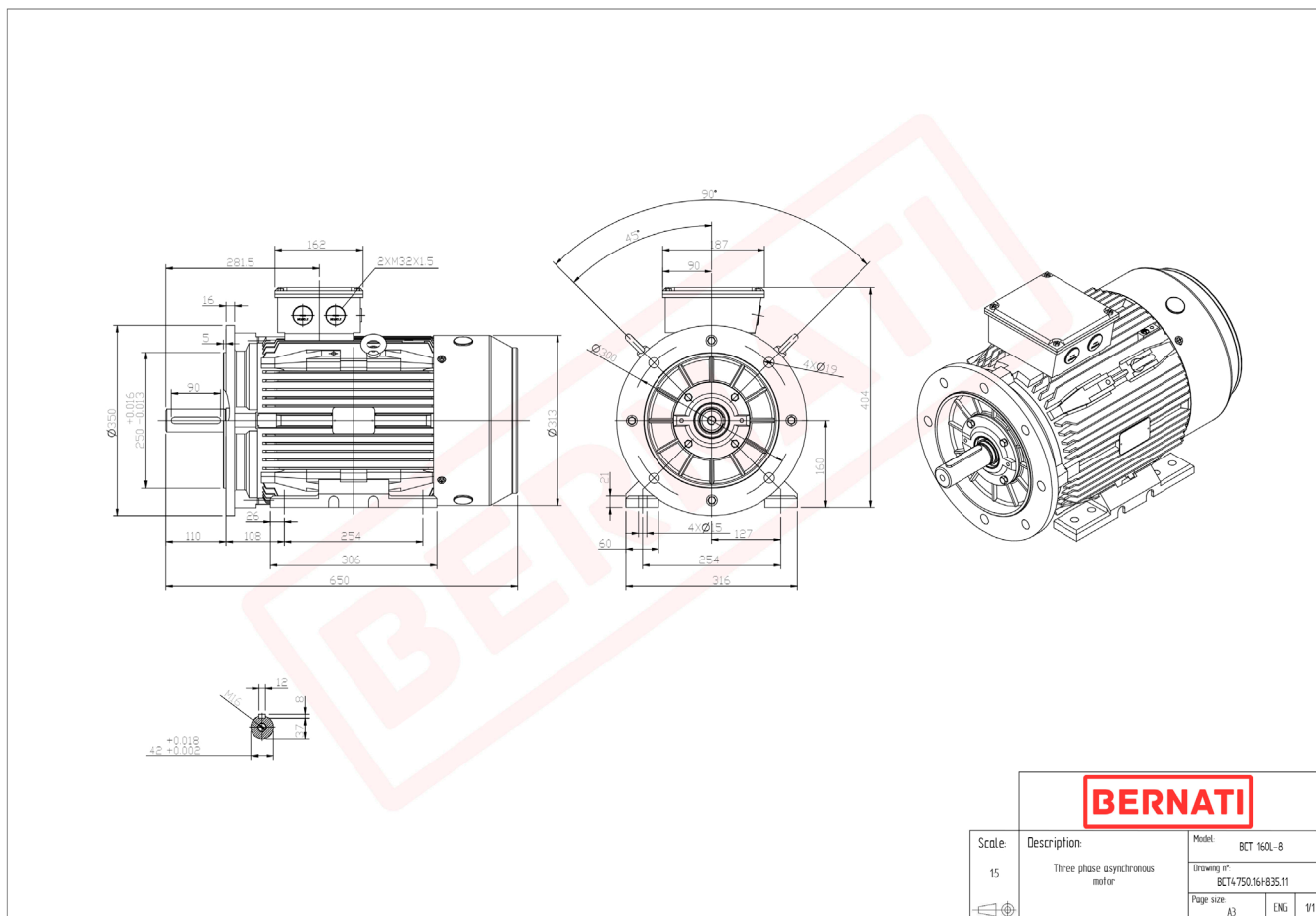


Technical Datasheet

BERNATI

BCT Series - Cast iron frame three phase low voltage electric motor



BCT

| | |
|----------------------|-------------------|
| Product Code | BCT4750.16H835.11 |
| Motor Type/Frame | BCT 160L-8 |
| Mounting | IM B3/B5 |
| Efficiency Class | IE4 |
| Output Power (kW) | 7.50 |
| Speed (rpm) | 730 |
| Tension (V) | 230/400 |
| Frequency (Hz) | 50 |
| Current (A) | 16.40 |
| Power factor (Cos Ø) | 0.70 |
| Poles | 8 |
| Insulation Class | F |
| IP Class | IP55 |
| 50% Efficiency | 89.0 |
| 75% Efficiency | 89.5 |
| 100% Efficiency | 89.3 |
| Torque (Nm) | 98.20 |
| Tstart / Tnominal | 1.80 |
| Istart / Inominal | 7.80 |
| Tmax / Tnominal | 2.00 |
| Noise (dB) | 68 |
| PTC Thermistor | PTC 130 |
| Weight (Kg) | 161 |
| DE Bearing | 6309 C3 |
| NDE Bearing | 6309 C3 |