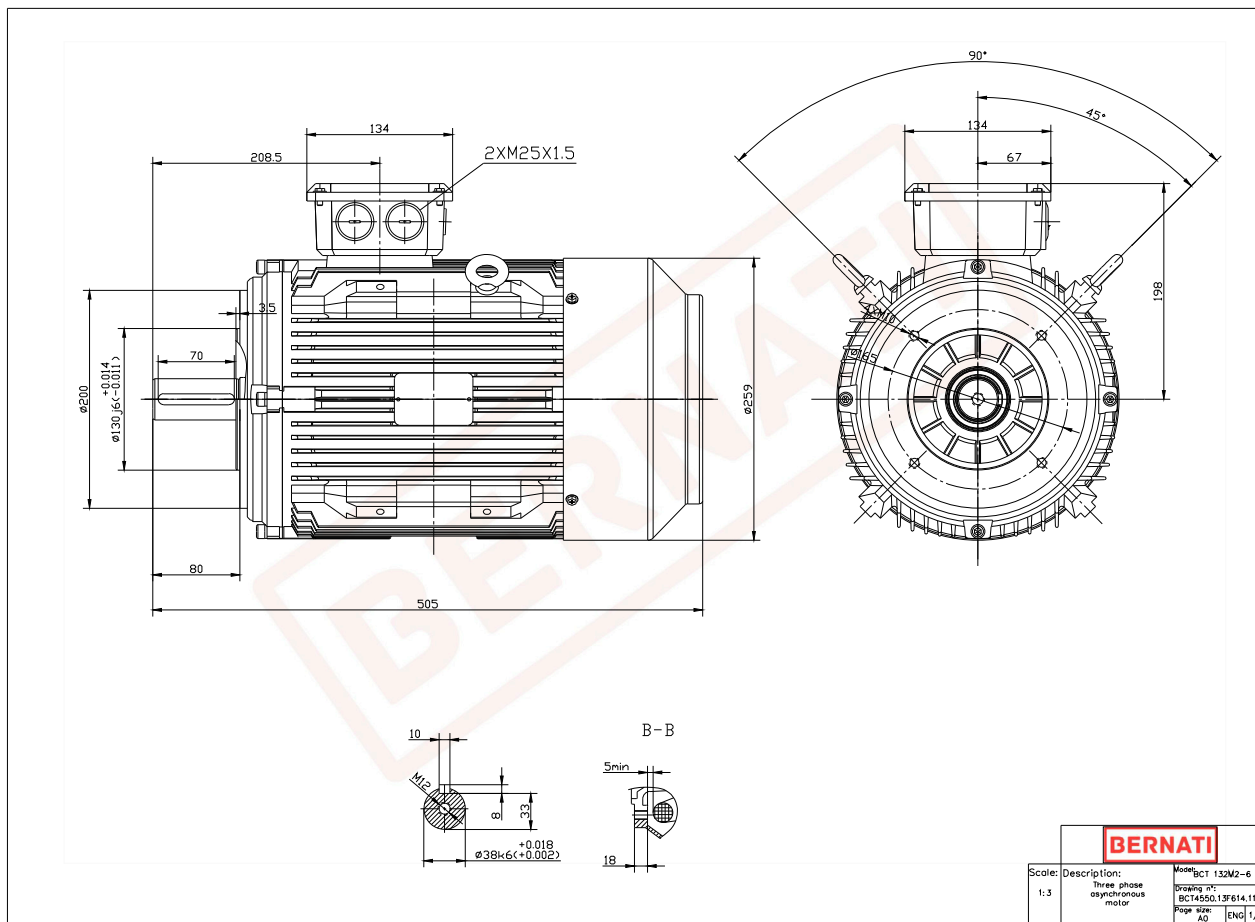


Technical Datasheet



BCT Series - Cast iron frame three phase low voltage electric motor



BCT

Product Code	BCT4550.13F614.11
Motor Type/Frame	BCT 132M2-6
Mounting	IM B14
Efficiency Class	IE4
Output Power (kW)	5.50
Speed (rpm)	970
Tension (V)	230/400
Frequency (Hz)	50
Current (A)	12.20
Power factor (Cos Ø)	0.70
Poles	6
Insulation Class	F
IP Class	IP55
50% Efficiency	90.4
75% Efficiency	90.7
100% Efficiency	90.5
Torque (Nm)	54.20
Tstart / Tnominal	2.00
Istart / Inominal	8.00
Tmax / Tnominal	2.10
Noise (dB)	69
PTC Thermistor	PTC 130
Weight (Kg)	72
DE Bearing	6308 2RZ C3
NDE Bearing	6308 2RZ C3