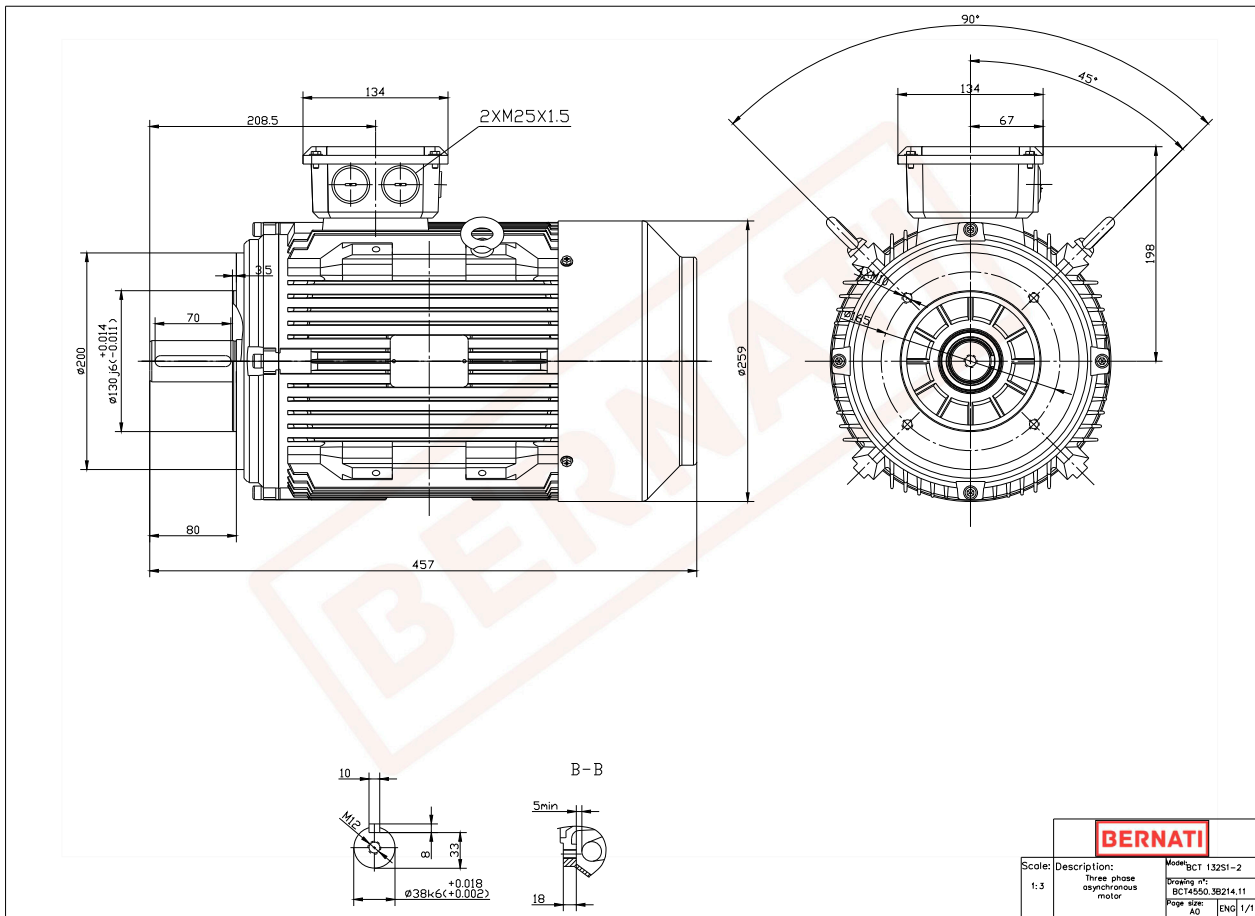


BCT Series - Cast iron frame three phase low voltage electric motor



BCT

Product Code	BCT4550.13B214.11
Motor Type/Frame	BCT 132S1-2
Mounting	IM B14
Efficiency Class	IE4
Output Power (kW)	5.50
Speed (rpm)	2950
Tension (V)	230/400
Frequency (Hz)	50
Current (A)	9.90
Power factor (Cos ϕ)	0.90
Poles	2
Insulation Class	F
IP Class	IP55
50% Efficiency	90.7
75% Efficiency	91.2
100% Efficiency	90.9
Torque (Nm)	17.80
T _{start} / T _{nominal}	2.00
I _{start} / I _{nominal}	9.50
T _{max} / T _{nominal}	2.30
Noise (dB)	79
PTC Thermistor	PTC 130
Weight (Kg)	67
DE Bearing	6308 2RZ C3
NDE Bearing	6308 2RZ C3