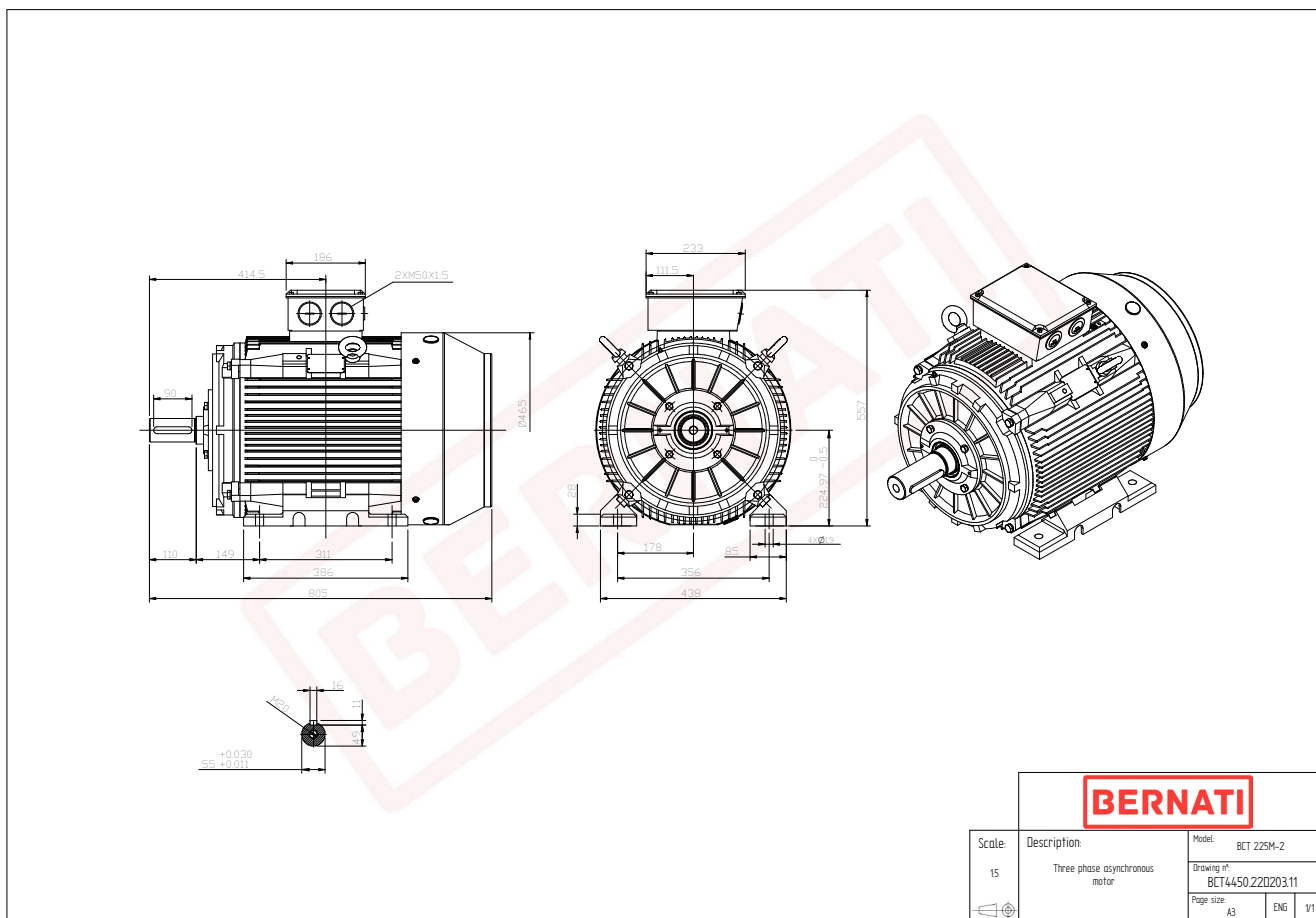


Technical Datasheet

BERNATI

BCT Series - Cast iron frame three phase low voltage electric motor



BCT

Product Code	BCT4450.22D203.11
Motor Type/Frame	BCT 225M-2
Mounting	IM B3
Efficiency Class	IE4
Output Power (kW)	45.00
Speed (rpm)	2970
Tension (V)	230/400
Frequency (Hz)	50
Current (A)	76.80
Power factor (Cos Ø)	0.90
Poles	2
Insulation Class	F
IP Class	IP55
50% Efficiency	94.0
75% Efficiency	95.2
100% Efficiency	95.0
Torque (Nm)	144.50
Tstart / Tnominal	2.00
Istart / Inominal	9.00
Tmax / Tnominal	2.30
Noise (dB)	86
PTC Thermistor	PTC 130
Weight (Kg)	387
DE Bearing	6313 C3
NDE Bearing	6313 C3