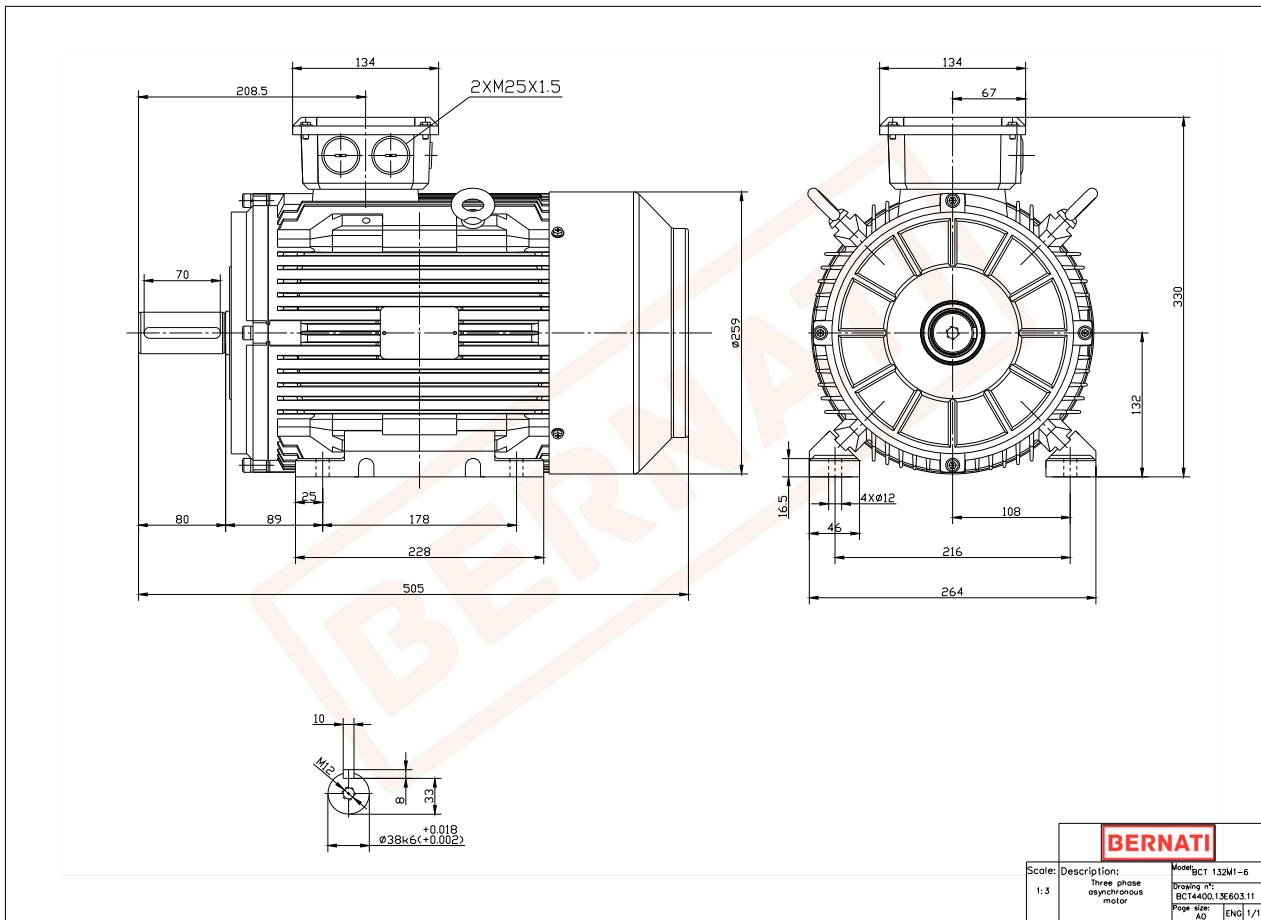


## BCT Series - Cast iron frame three phase low voltage electric motor



<b>BERNATI</b>	
Scale: 1:3	Description: Three phase asynchronous motor
Model: BCT 132M1-6	Drawing n°: BCT4400.13E603.11
Page size: A0	ENQ 1/1

<b>BCT</b>	
Product Code	BCT4400.13E603.11
Motor Type/Frame	BCT 132M1-6
Mounting	IM B3
Efficiency Class	IE4
Output Power (kW)	4.00
Speed (rpm)	970
Tension (V)	230/400
Frequency (Hz)	50
Current (A)	9.00
Power factor (Cos Ø)	0.70
Poles	6
Insulation Class	F
IP Class	IP55
50% Efficiency	89.4
75% Efficiency	89.9
100% Efficiency	89.5
Torque (Nm)	39.40
Tstart / Tnominal	2.20
Istart / Inominal	8.00
Tmax / Tnominal	2.10
Noise (dB)	69
PTC Thermistor	PTC 130
Weight (Kg)	67
DE Bearing	6308 2RZ C3
NDE Bearing	6308 2RZ C3