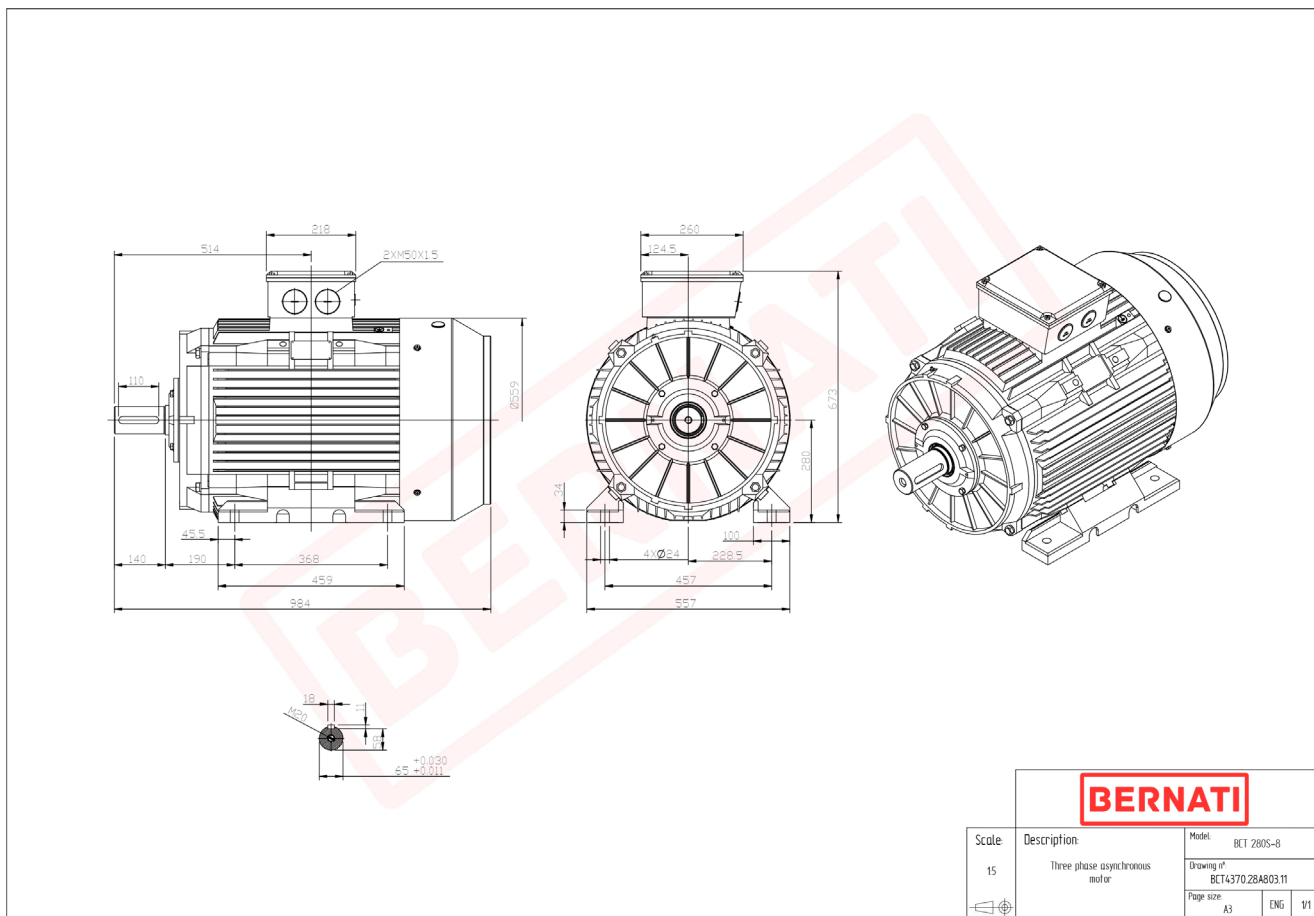


# Technical Datasheet

**BERNATI**

BCT Series - Cast iron frame three phase low voltage electric motor



<b>BERNATI</b>	
Scale:	15
Description:	Three phase asynchronous motor
Model:	BCT 280S-8
Drawing n°:	BCT4370.28A803.11
Page size:	A3
ENG	V1

## BCT

Product Code	BCT4370.28A803.11
Motor Type/Frame	BCT 280S-8
Mounting	IM B3
Efficiency Class	IE4
Output Power (kW)	37.00
Speed (rpm)	740
Tension (V)	230/400
Frequency (Hz)	50
Current (A)	73.50
Power factor (Cos Ø)	0.80
Poles	8
Insulation Class	F
IP Class	IP55
50% Efficiency	93.0
75% Efficiency	93.3
100% Efficiency	93.1
Torque (Nm)	477.70
Tstart / Tnominal	1.80
Istart / Inominal	7.90
Tmax / Tnominal	2.00
Noise (dB)	76
PTC Thermistor	PTC 130
Weight (Kg)	516
DE Bearing	6316 C3
NDE Bearing	6316 C3