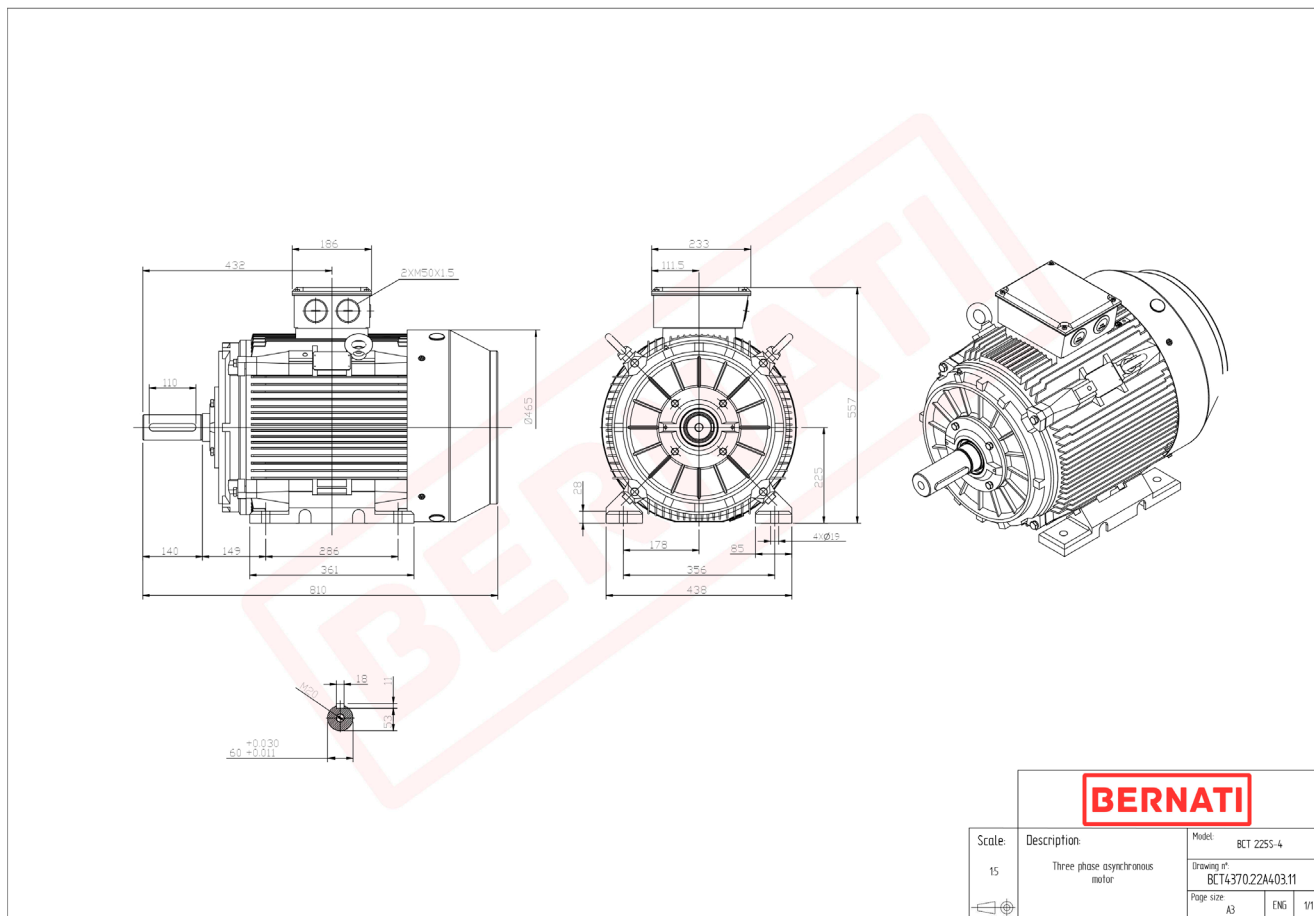


Technical Datasheet

BERNATI

BCT Series - Cast iron frame three phase low voltage electric motor



BCT

Product Code	BCT4370.22A403.11
Motor Type/Frame	BCT 225S-4
Mounting	IM B3
Efficiency Class	IE4
Output Power (kW)	37.00
Speed (rpm)	1480
Tension (V)	230/400
Frequency (Hz)	50
Current (A)	66.00
Power factor (Cos Ø)	0.90
Poles	4
Insulation Class	F
IP Class	IP55
50% Efficiency	94.6
75% Efficiency	95.4
100% Efficiency	95.2
Torque (Nm)	238.90
Tstart / Tnominal	2.00
Istart / Inominal	9.00
Tmax / Tnominal	2.30
Noise (dB)	78
PTC Thermistor	PTC 130
Weight (Kg)	403
DE Bearing	6313 C3
NDE Bearing	6313 C3