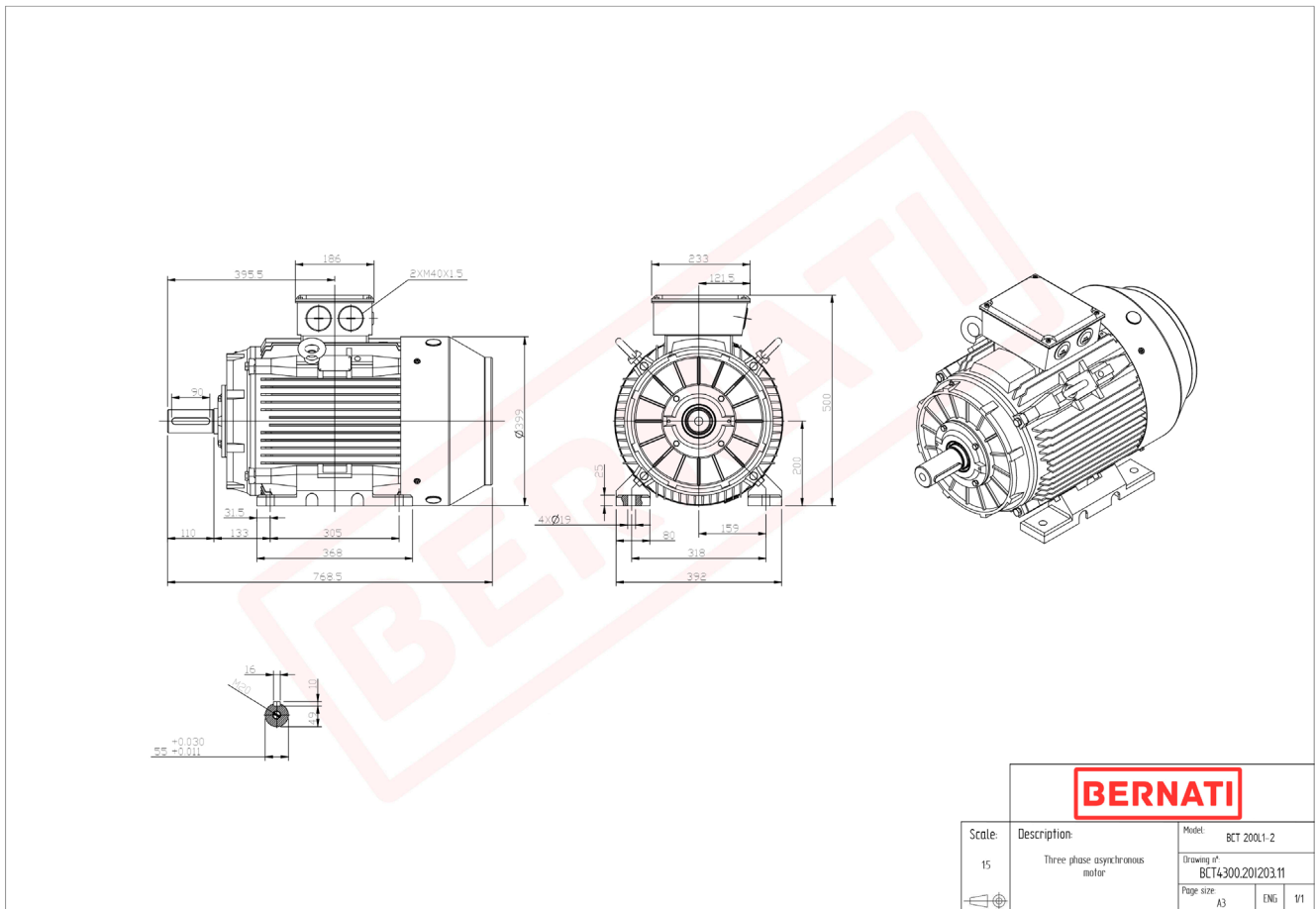


# Technical Datasheet

**BERNATI**

BCT Series - Cast iron frame three phase low voltage electric motor



## BCT

Product Code	BCT4300.20I203.11
Motor Type/Frame	BCT 200L1-2
Mounting	IM B3
Efficiency Class	IE4
Output Power (kW)	30.00
Speed (rpm)	2970
Tension (V)	230/400
Frequency (Hz)	50
Current (A)	51.50
Power factor (Cos Ø)	0.90
Poles	2
Insulation Class	F
IP Class	IP55
50% Efficiency	94.3
75% Efficiency	94.7
100% Efficiency	94.5
Torque (Nm)	95.50
Tstart / Tnominal	2.00
Istart / Inominal	9.00
Tmax / Tnominal	2.30
Noise (dB)	84
PTC Thermistor	PTC 130
Weight (Kg)	278
DE Bearing	6312 C3
NDE Bearing	6312 C3