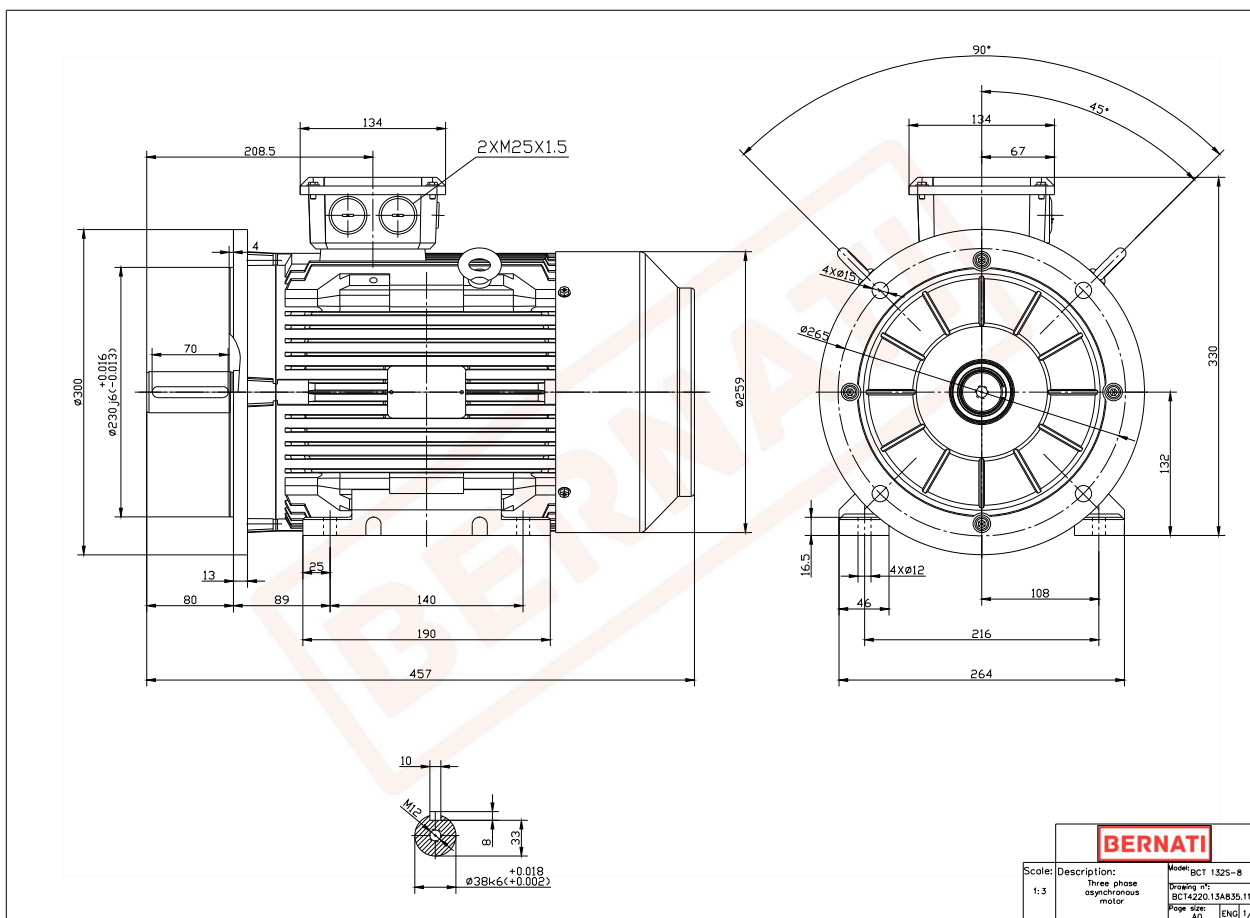


BCT Series - Cast iron frame three phase low voltage electric motor



BERNATI		
Scale: 1:3	Description: Three phase asynchronous motor	Model: BCT 132S-8 Drawing ref: BCT4220.13A835.11 Page size: A0 ENG 1/1

BCT	
Product Code	BCT4220.13A835.11
Motor Type/Frame	BCT 132S-8
Mounting	IM B3/B5
Efficiency Class	IE4
Output Power (kW)	2.20
Speed (rpm)	715
Tension (V)	230/400
Frequency (Hz)	50
Current (A)	5.40
Power factor (Cos Ø)	0.70
Poles	8
Insulation Class	F
IP Class	IP55
50% Efficiency	84.3
75% Efficiency	84.7
100% Efficiency	84.5
Torque (Nm)	29.40
Tstart / Tnominal	1.80
Istart / Inominal	7.50
Tmax / Tnominal	2.00
Noise (dB)	64
PTC Thermistor	PTC 130
Weight (Kg)	56
DE Bearing	6308 2RZ C3
NDE Bearing	6308 2RZ C3