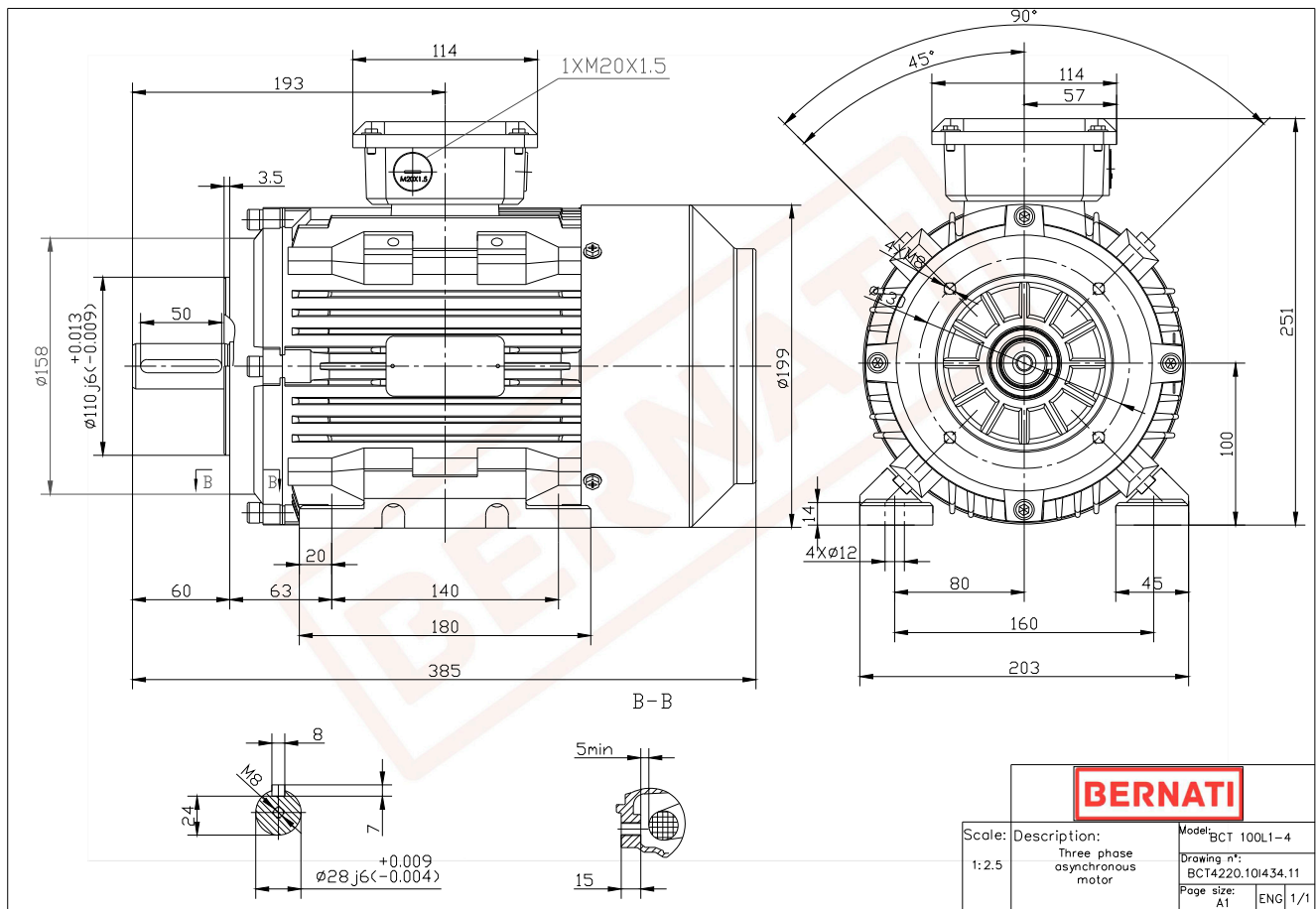


## BCT Series - Cast iron frame three phase low voltage electric motor



### BCT

|   |                   |
|---|-------------------|
| Product Code                              | BCT4220.10I434.11 |
| Motor Type/Frame                          | BCT 100L1-4       |
| Mounting                                  | IM B3/B14         |
| Efficiency Class                          | IE4               |
| Output Power (kW)                         | 2.20              |
| Speed (rpm)                               | 1450              |
| Tension (V)                               | 230/400           |
| Frequency (Hz)                            | 50                |
| Current (A)                               | 4.50              |
| Power factor (Cos $\phi$ )                | 0.80              |
| Poles                                     | 4                 |
| Insulation Class                          | F                 |
| IP Class                                  | IP55              |
| 50% Efficiency                            | 88.4              |
| 75% Efficiency                            | 89.7              |
| 100% Efficiency                           | 89.5              |
| Torque (Nm)                               | 14.50             |
| T <sub>start</sub> / T <sub>nominal</sub> | 2.30              |
| I <sub>start</sub> / I <sub>nominal</sub> | 9.00              |
| T <sub>max</sub> / T <sub>nominal</sub>   | 2.30              |
| Noise (dB)                                | 64                |
| PTC Thermistor                            | PTC 130           |
| Weight (Kg)                               | 39                |
| DE Bearing                                | 6206 2RZ C3       |
| NDE Bearing                               | 6206 2RZ C3       |