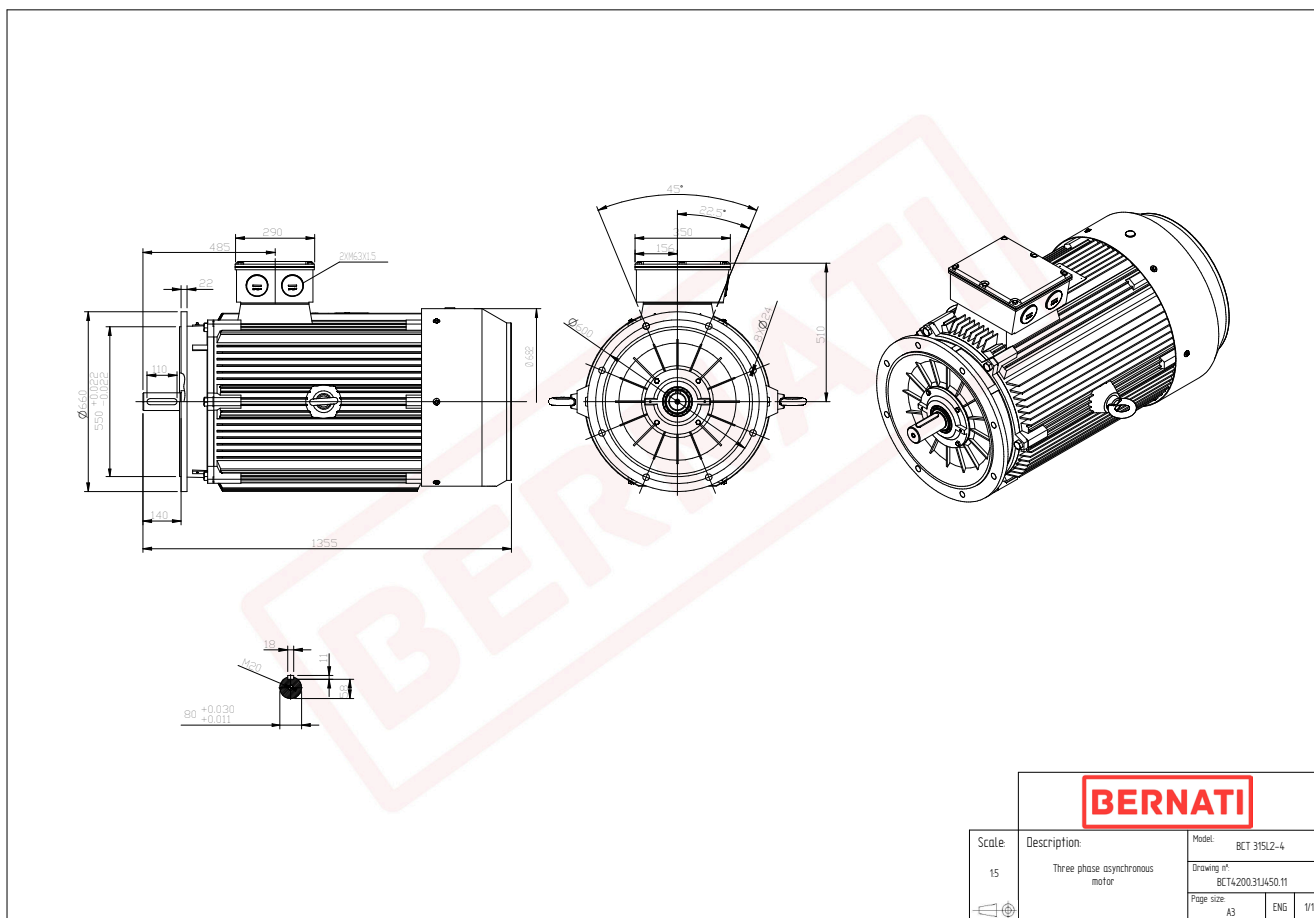


Technical Datasheet



BCT Series - Cast iron frame three phase low voltage electric motor



BERNATI		
Scale:	Description:	Model:
1:5	Three phase asynchronous motor	BCT 315L2-4
		Drawing of:
		BCT4200.31J450.11
		Page size:
		A3 ENG 1/1

BCT

Product Code	BCT4200.31J450.11
Motor Type/Frame	BCT 315L2-4
Mounting	IM B5
Efficiency Class	IE4
Output Power (kW)	200.00
Speed (rpm)	1485
Tension (V)	230/400
Frequency (Hz)	50
Current (A)	331.70
Power factor (Cos Ø)	0.90
Poles	4
Insulation Class	F
IP Class	IP55
50% Efficiency	96.3
75% Efficiency	96.7
100% Efficiency	96.7
Torque (Nm)	1286.80
Tstart / Tnominal	1.80
Istart / Inominal	8.50
Tmax / Tnominal	2.20
Noise (dB)	88
PTC Thermistor	PTC 130
Weight (Kg)	1558
DE Bearing	NU319
NDE Bearing	6319 C3