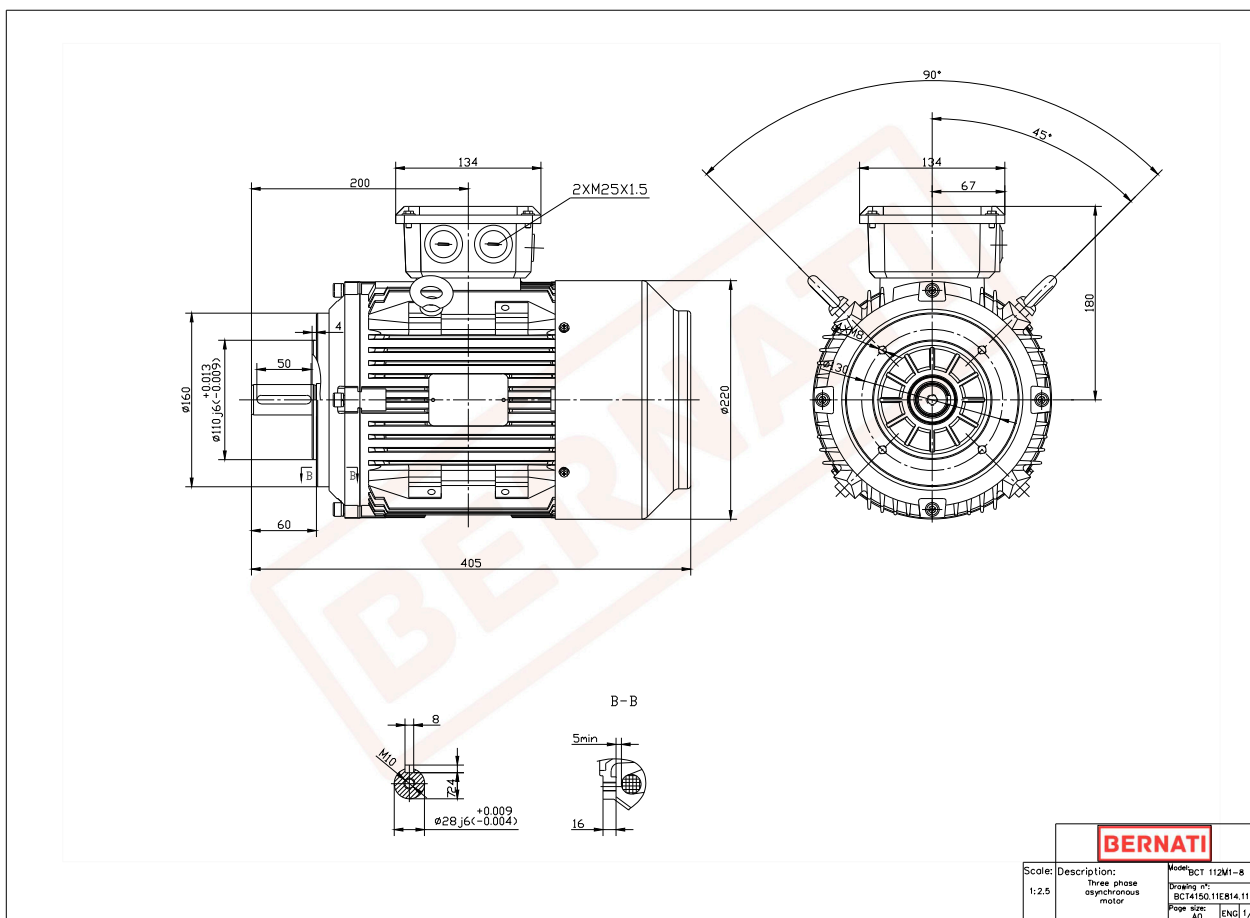


BCT Series - Cast iron frame three phase low voltage electric motor



BERNATI		
Scale: 1:2.5	Description: Three phase asynchronous motor	Model: BCT 112M1-8 Drawing n°: BCT4150.11E814.11 Page size: A0 ENC 1/1

BCT

Product Code	BCT4150.11E814.11
Motor Type/Frame	BCT 112M1-8
Mounting	IM B14
Efficiency Class	IE4
Output Power (kW)	1.50
Speed (rpm)	710
Tension (V)	230/400
Frequency (Hz)	50
Current (A)	3.80
Power factor (Cos ϕ)	0.70
Poles	8
Insulation Class	F
IP Class	IP55
50% Efficiency	82.4
75% Efficiency	82.8
100% Efficiency	82.6
Torque (Nm)	29.20
Tstart / Tnominal	2.00
Istart / Inominal	7.00
Tmax / Tnominal	2.00
Noise (dB)	61
PTC Thermistor	PTC 130
Weight (Kg)	39
DE Bearing	6306 2RZ C3
NDE Bearing	6306 2RZ C3