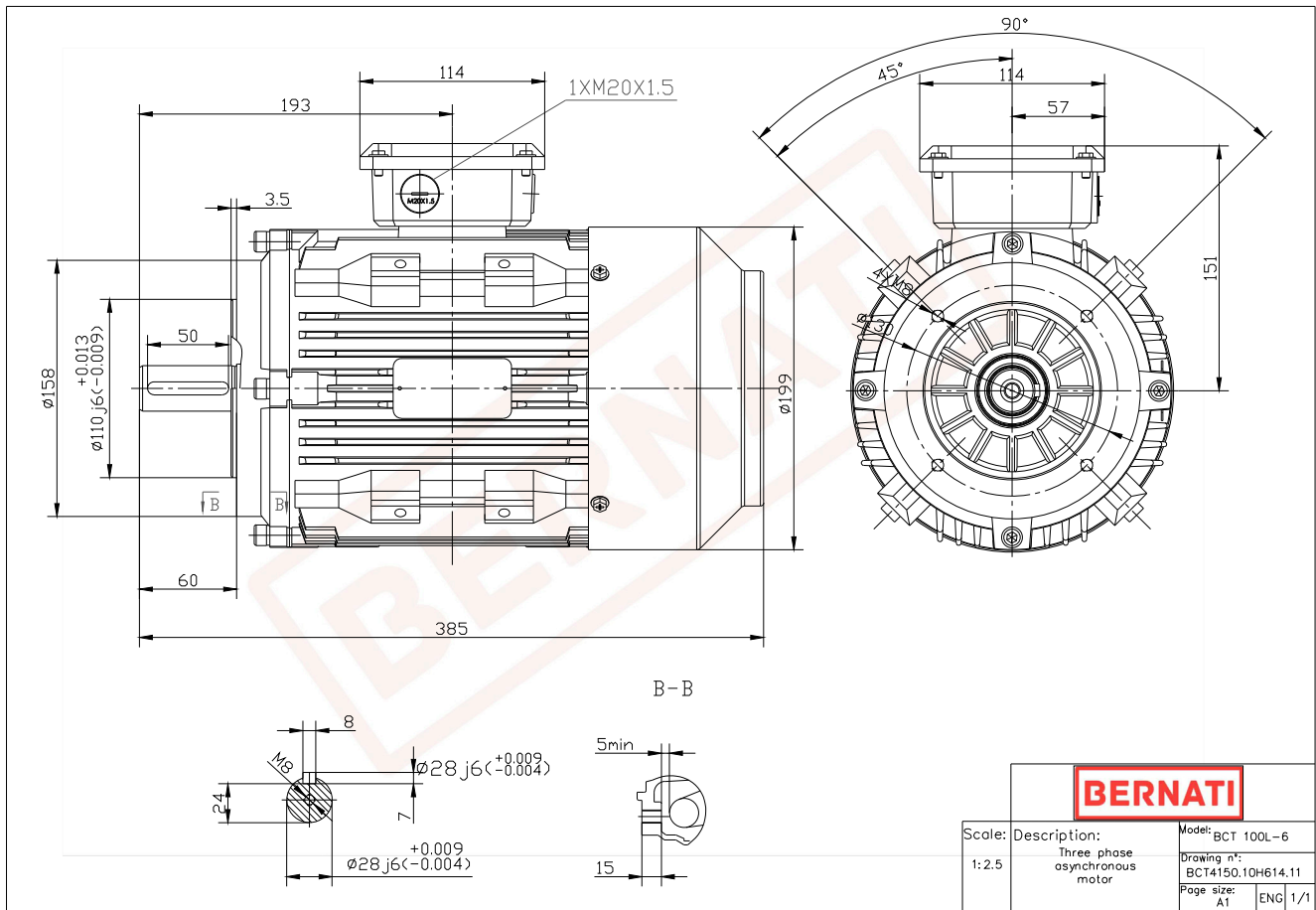


## BCT Series - Cast iron frame three phase low voltage electric motor



### BCT

Product Code	BCT4150.10H614.11
Motor Type/Frame	BCT 100L-6
Mounting	IM B14
Efficiency Class	IE4
Output Power (kW)	1.50
Speed (rpm)	950
Tension (V)	230/400
Frequency (Hz)	50
Current (A)	3.60
Power factor (Cos Ø)	0.70
Poles	6
Insulation Class	F
IP Class	IP55
50% Efficiency	85.8
75% Efficiency	86.3
100% Efficiency	85.9
Torque (Nm)	15.10
Tstart / Tnominal	2.10
Istart / Inominal	7.50
Tmax / Tnominal	2.10
Noise (dB)	61
PTC Thermistor	PTC 130
Weight (Kg)	39
DE Bearing	6206 2RZ C3
NDE Bearing	6206 2RZ C3