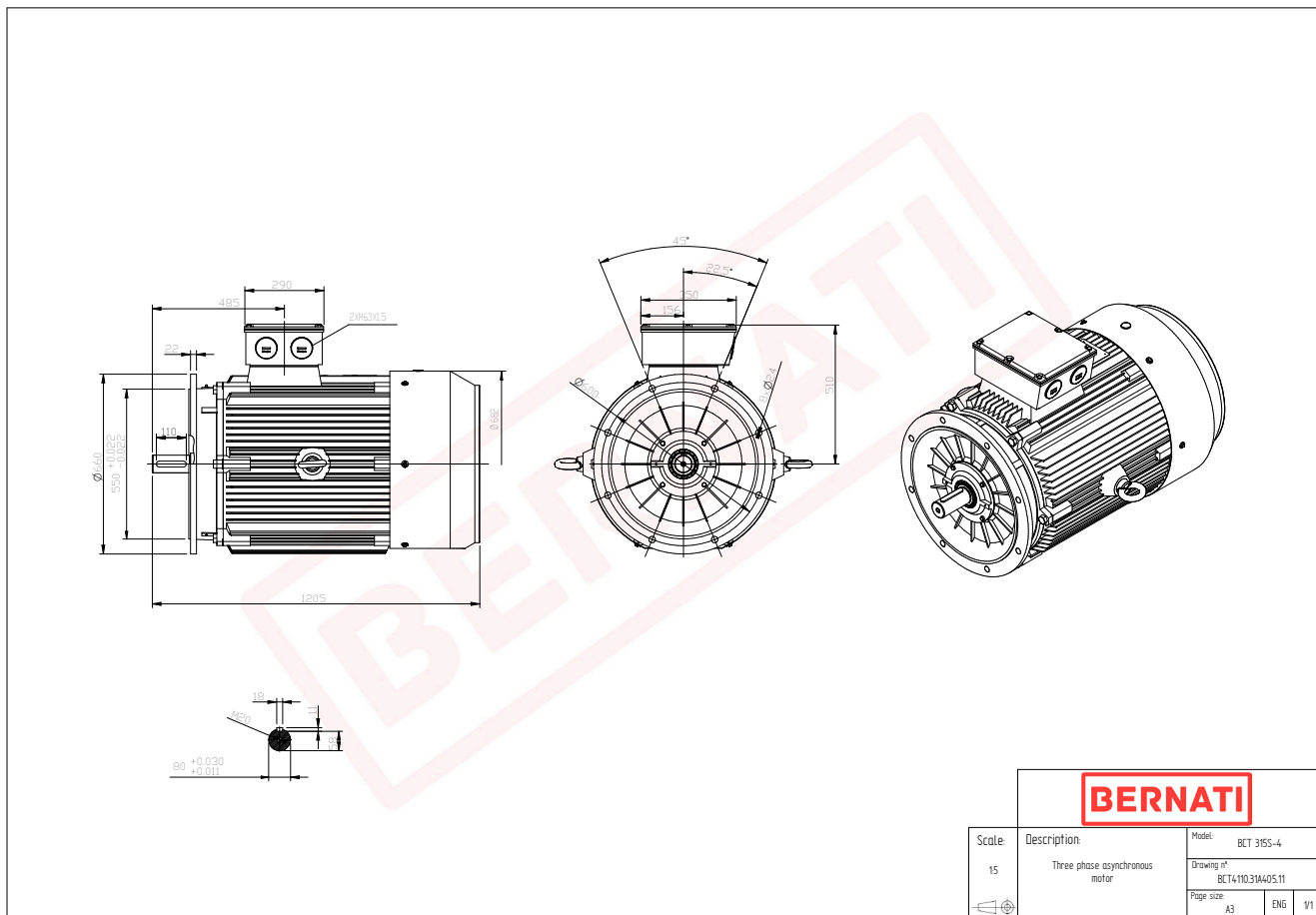


Technical Datasheet

BERNATI

BCT Series - Cast iron frame three phase low voltage electric motor



BCT

Product Code	BCT4110.31A405.11
Motor Type/Frame	BCT 315S-4
Mounting	IM B5
Efficiency Class	IE4
Output Power (kW)	110.00
Speed (rpm)	1485
Tension (V)	230/400
Frequency (Hz)	50
Current (A)	185,30
Power factor (Cos Ø)	0.90
Poles	4
Insulation Class	F
IP Class	IP55
50% Efficiency	95.9
75% Efficiency	96.3
100% Efficiency	96.3
Torque (Nm)	707.70
Tstart / Tnominal	1.80
Istart / Inominal	8.50
Tmax / Tnominal	2.20
Noise (dB)	88
PTC Thermistor	PTC 130
Weight (Kg)	1130
DE Bearing	NU319
NDE Bearing	6319 C3