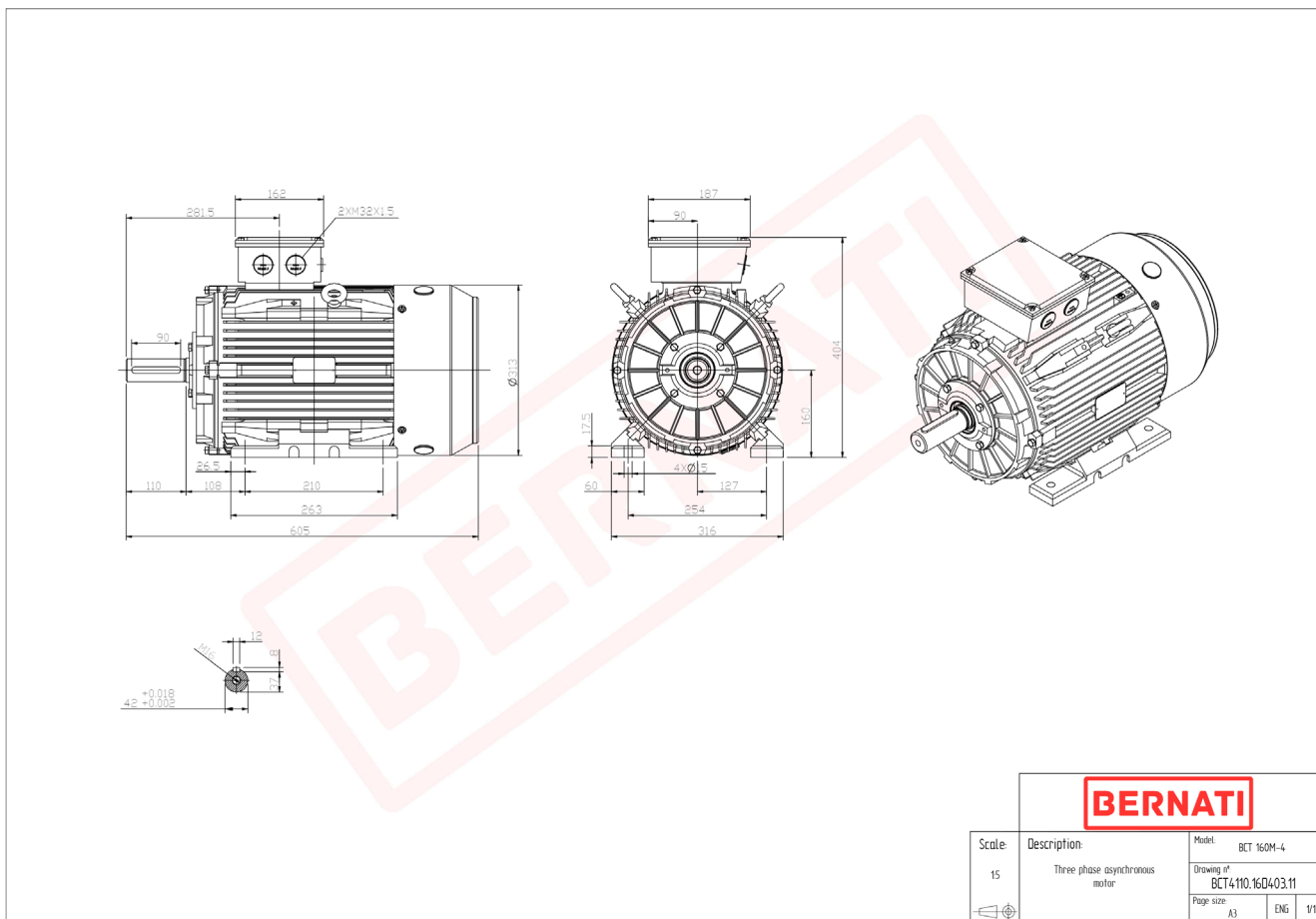


# Technical Datasheet

**BERNATI**

BCT Series - Cast iron frame three phase low voltage electric motor



<b>BERNATI</b>		
Scale:	Description:	Model:
1:5	Three phase asynchronous motor	BCT 160M-4
		Drawing of:
		BCT4110.16D403.11
		Page size:
		A3    ENG    1/1

## BCT

Product Code	BCT4110.16D403.11
Motor Type/Frame	BCT 160M-4
Mounting	IM B3
Efficiency Class	IE4
Output Power (kW)	11.00
Speed (rpm)	1475
Tension (V)	230/400
Frequency (Hz)	50
Current (A)	20.50
Power factor (Cos Ø)	0.80
Poles	4
Insulation Class	F
IP Class	IP55
50% Efficiency	92.8
75% Efficiency	93.5
100% Efficiency	93.3
Torque (Nm)	71.30
Tstart / Tnominal	2.00
Istart / Inominal	9.50
Tmax / Tnominal	2.30
Noise (dB)	73
PTC Thermistor	PTC 130
Weight (Kg)	160
DE Bearing	6309 C3
NDE Bearing	6309 C3