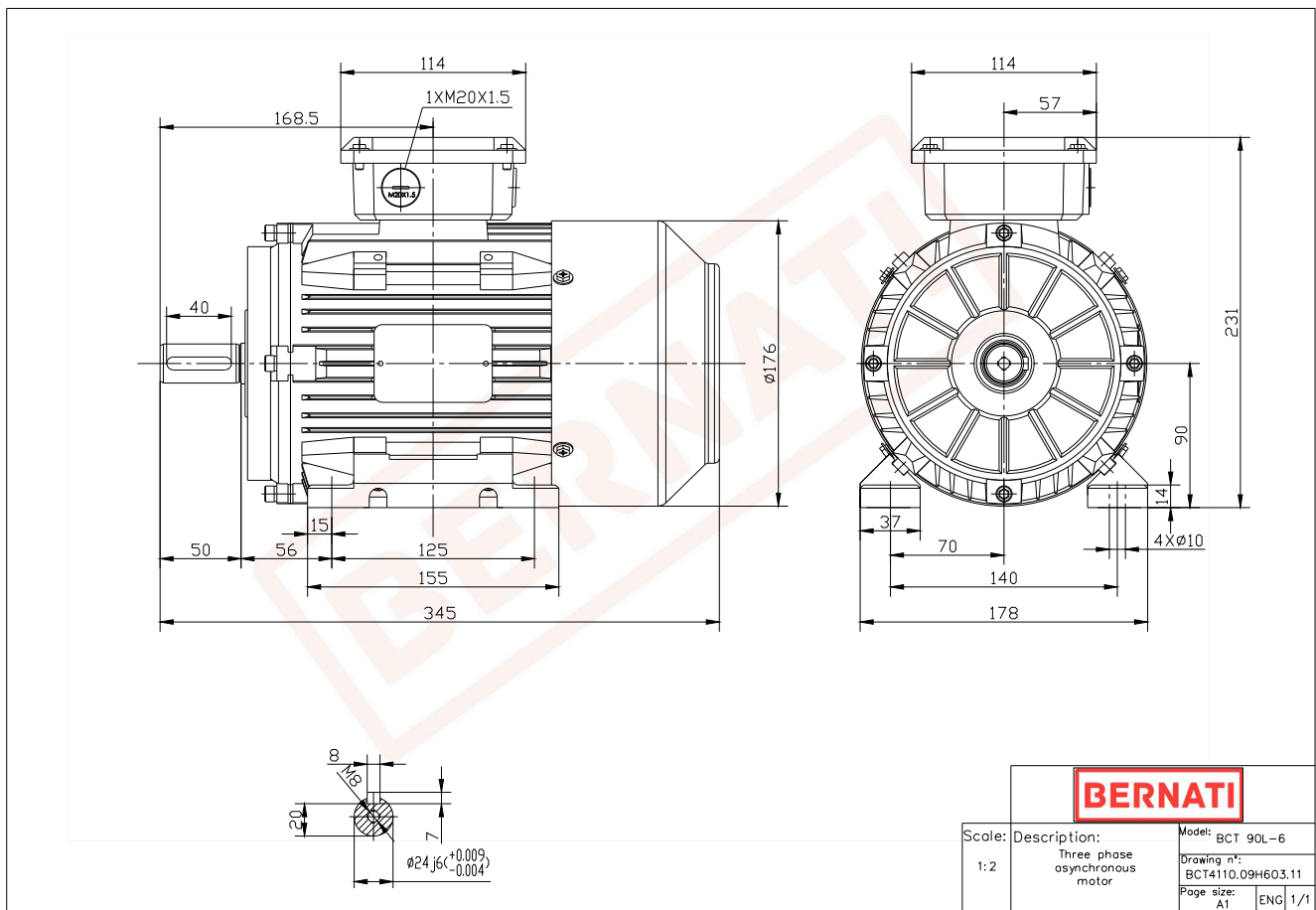


BCT Series - Cast iron frame three phase low voltage electric motor



Scale:	Description:	Model:
1:2	Three phase asynchronous motor	BCT 90L-6
		Drawing n°:
		BCT4110.09H603.11
		Page size:
		A1 ENG 1/1

BCT	
Product Code	BCT4110.09H603.11
Motor Type/Frame	BCT 90L-6
Mounting	IM B3
Efficiency Class	IE4
Output Power (kW)	1.10
Speed (rpm)	940
Tension (V)	230/400
Frequency (Hz)	50
Current (A)	2.70
Power factor (Cos Ø)	0.70
Poles	6
Insulation Class	F
IP Class	IP55
50% Efficiency	84.4
75% Efficiency	84.8
100% Efficiency	84.5
Torque (Nm)	11.20
Tstart / Tnominal	2.10
Istart / Inominal	7.50
Tmax / Tnominal	2.10
Noise (dB)	57
PTC Thermistor	PTC 130
Weight (Kg)	34
DE Bearing	6205 2RZ C3
NDE Bearing	6205 2RZ C3