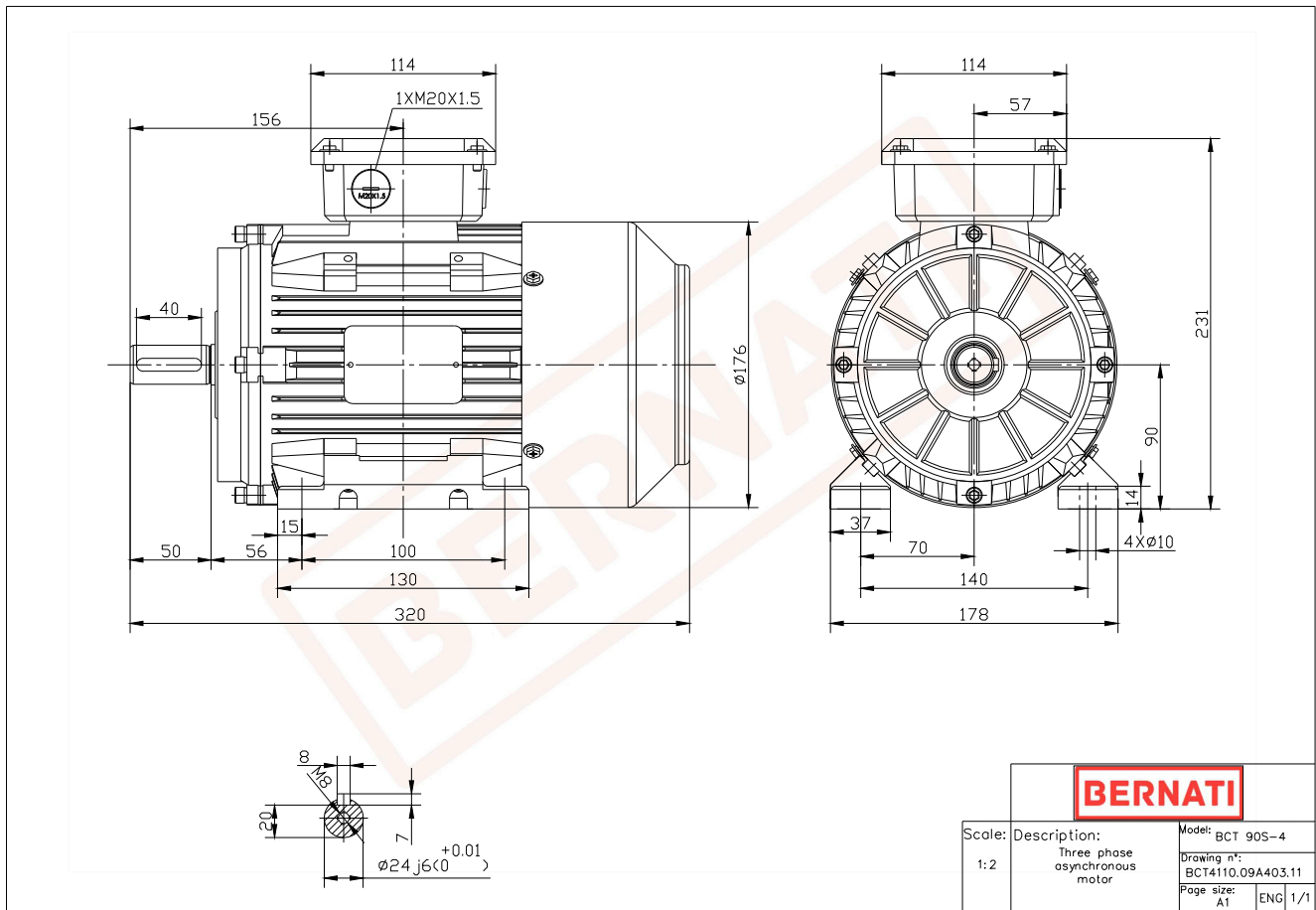


Technical Datasheet

BERNATI

BCT Series - Cast iron frame three phase low voltage electric motor



BCT

Product Code	BCT4110.09A403.11
Motor Type/Frame	BCT 90S-4
Mounting	IM B3
Efficiency Class	IE4
Output Power (kW)	1.10
Speed (rpm)	1445
Tension (V)	230/400
Frequency (Hz)	50
Current (A)	2.40
Power factor (Cos ϕ)	0.80
Poles	4
Insulation Class	F
IP Class	IP55
50% Efficiency	85.7
75% Efficiency	87.4
100% Efficiency	87.2
Torque (Nm)	7.30
Tstart / Tnominal	2.30
Istart / Inominal	8.50
Tmax / Tnominal	2.30
Noise (dB)	59
PTC Thermistor	PTC 130
Weight (Kg)	25
DE Bearing	6205 2RZ C3
NDE Bearing	6205 2RZ C3