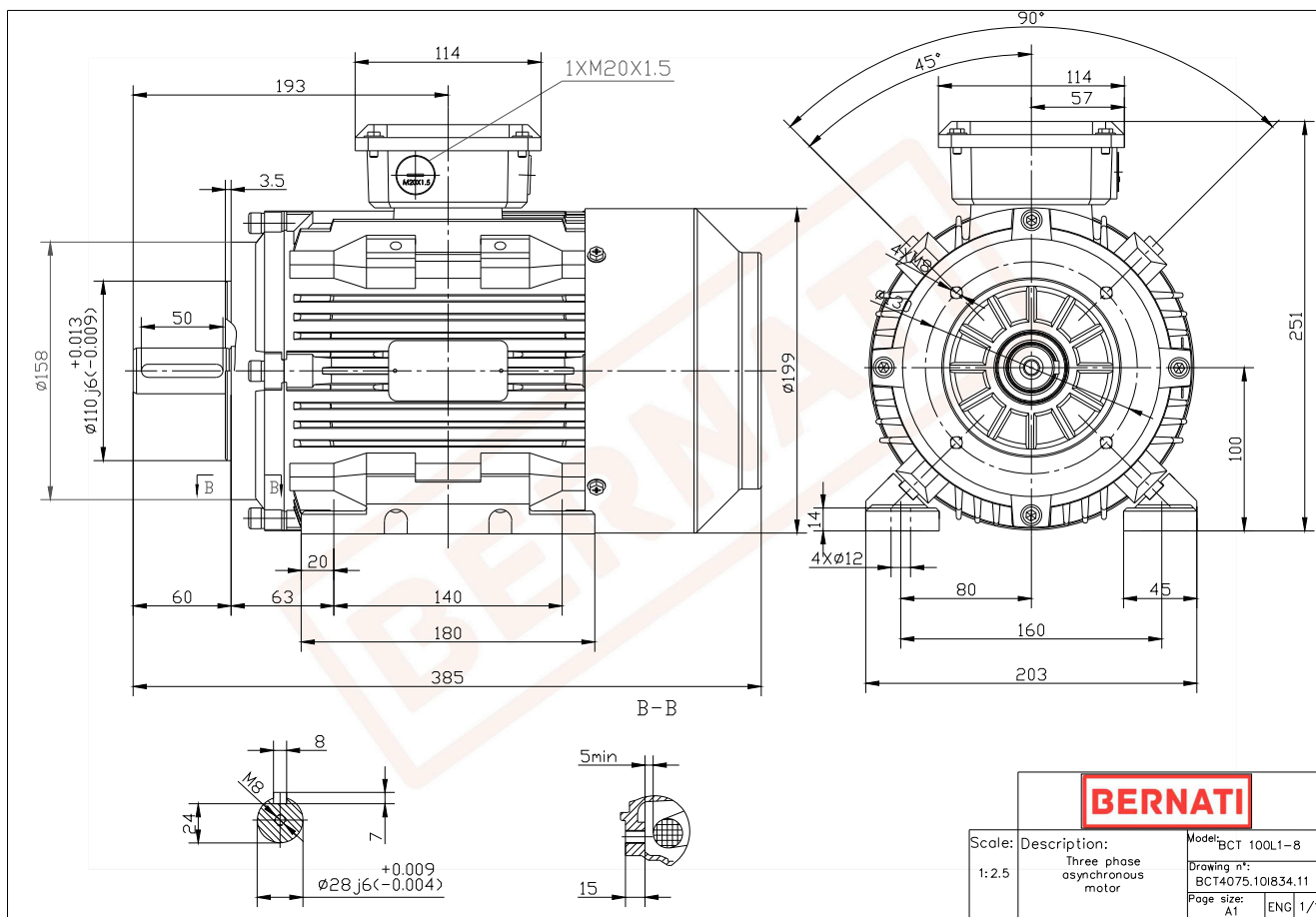


## BCT Series - Cast iron frame three phase low voltage electric motor



|        |                                |                   |
|--------|--------------------------------|-------------------|
| Scale: | Description:                   | Model:            |
| 1:2.5  | Three phase asynchronous motor | BCT 100L1-8       |
|        |                                | Drawing n°:       |
|        |                                | BCT4075.10I834.11 |
|        |                                | Page size:        |
|        |                                | A1                |
|        |                                | ENG 1/1           |

### BCT

|                            |                   |
|----------------------------|-------------------|
| Product Code               | BCT4075.10I834.11 |
| Motor Type/Frame           | BCT 100L1-8       |
| Mounting                   | IM B3/B14         |
| Efficiency Class           | IE4               |
| Output Power (kW)          | 0.75              |
| Speed (rpm)                | 700               |
| Tension (V)                | 230/400           |
| Frequency (Hz)             | 50                |
| Current (A)                | 2.10              |
| Power factor (Cos $\phi$ ) | 0.70              |
| Poles                      | 8                 |
| Insulation Class           | F                 |
| IP Class                   | IP55              |
| 50% Efficiency             | 79.0              |
| 75% Efficiency             | 78.6              |
| 100% Efficiency            | 78.4              |
| Torque (Nm)                | 10.20             |
| Tstart / Tnominal          | 2.00              |
| Istart / Inominal          | 7.00              |
| Tmax / Tnominal            | 2.00              |
| Noise (dB)                 | 59                |
| PTC Thermistor             | PTC 130           |
| Weight (Kg)                | 29                |
| DE Bearing                 | 6206 2RZ C3       |
| NDE Bearing                | 6206 2RZ C3       |