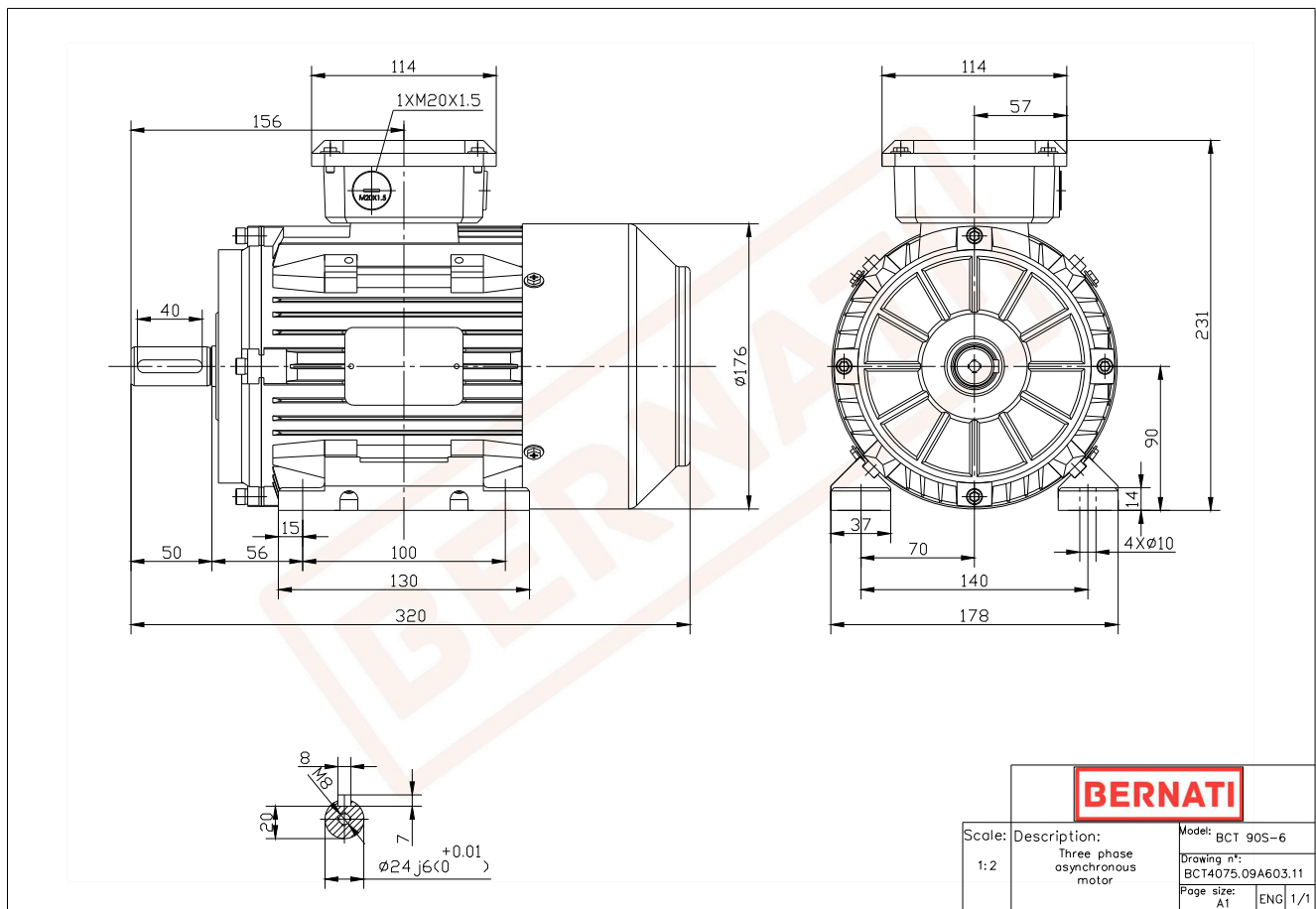


Technical Datasheet

BERNATI

BCT Series - Cast iron frame three phase low voltage electric motor



BCT

| | |
|-----------------------------------|-------------------|
| Product Code | BCT4075.09A603.11 |
| Motor Type/Frame | BCT 90S-6 |
| Mounting | IM B3 |
| Efficiency Class | IE4 |
| Output Power (kW) | 0.75 |
| Speed (rpm) | 940 |
| Tension (V) | 230/400 |
| Frequency (Hz) | 50 |
| Current (A) | 1.90 |
| Power factor (Cos \varnothing) | 0.70 |
| Poles | 6 |
| Insulation Class | F |
| IP Class | IP55 |
| 50% Efficiency | 83.0 |
| 75% Efficiency | 82.9 |
| 100% Efficiency | 82.7 |
| Torque (Nm) | 7.60 |
| Tstart / Tnominal | 2.10 |
| Istart / Inominal | 7.50 |
| Tmax / Tnominal | 2.10 |
| Noise (dB) | 57 |
| PTC Thermistor | PTC 130 |
| Weight (Kg) | 30 |
| DE Bearing | 6205 2RZ C3 |
| NDE Bearing | 6205 2RZ C3 |